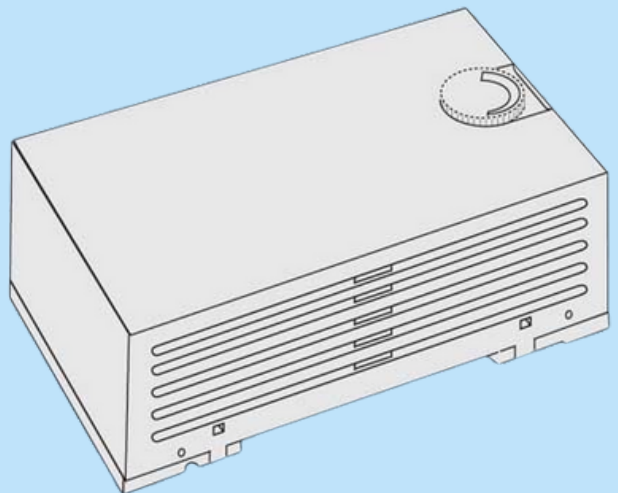
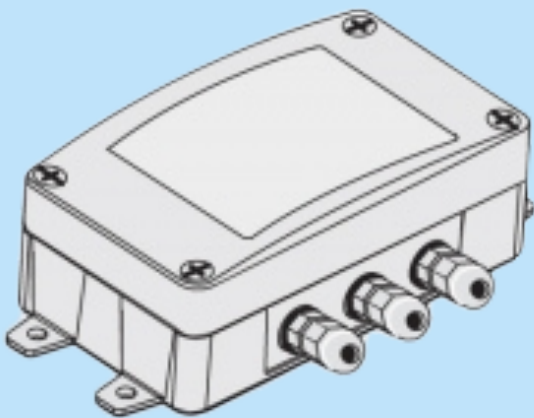
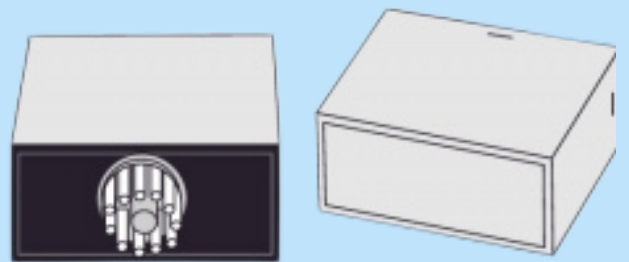
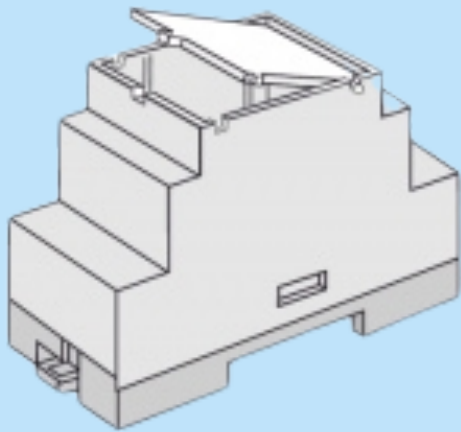


Bernic

CATALOG



LEADING MANUFACTURER OF DIN RAIL ENCLOSURES

CONTENT

DIN RAIL ENCLOSURES

PAGE	SERIES
4	SERIES 35
5	SERIES 52
6	SERIES 70
7	SERIES 105
8	SERIES 157
9	SERIES 210
10	SERIES 175
11	SERIES 225
12	SERIES 450
13	SERIES 500 & 501
14	SERIES 350
15	SERIES 525
16	SERIES 700
17	SERIES 1050
18	SERIES 1050 LOW
19	SERIES 1050 LOW
20	SERIES 1435
21	SERIES 1470
22	SERIES 1570
23	SERIES 1570 LOW
24	SERIES 1570 FLAT
25	SERIES 2100
26	SERIES 2600
27	SERIES REX 4000
28	SERIES M2
29	SERIES M2
30	SERIES M2
31	SERIES M4
32	SERIES M4
33	SERIES M6
34	SERIES M9
35	SERIES M9
36	SERIES M22
37	SERIES M45

WALLMOUNTING ENCLOSURES

PAGE	SERIES
39	SERIES 300
40	SERIES 301
41	SERIES 301 LOW
42	SERIES 503
43	SERIES 600
44	SERIES 601 & 602
45	SERIES 630
46	SERIES 900
47	SERIES GOLD
48	KNOB

HAND-HELD ENCLOSURES

PAGE	SERIES
50	SERIES 3100 & 6000
51	SERIES 1800 & 3000

BOXES FOR POTTING & INSTRUMENTATION ENCLOSURES

PAGE	SERIES
53	SERIES 700 & 400
54	DESK TOP ENCLOSURES
55	SERIES 2000

SEALED ENCLOSURES

PAGE	SERIES
57	SERIES 200
58	SERIES 1000

ACCESSORIES

PAGE	SERIES
60	SERIES KNX
61	KNOB
62	SERIES 7000
63	STAR POINT
64	SERIES 605/256/257
65	LIGHT CONDUCTORS

DIN RAIL ENCLOSURES

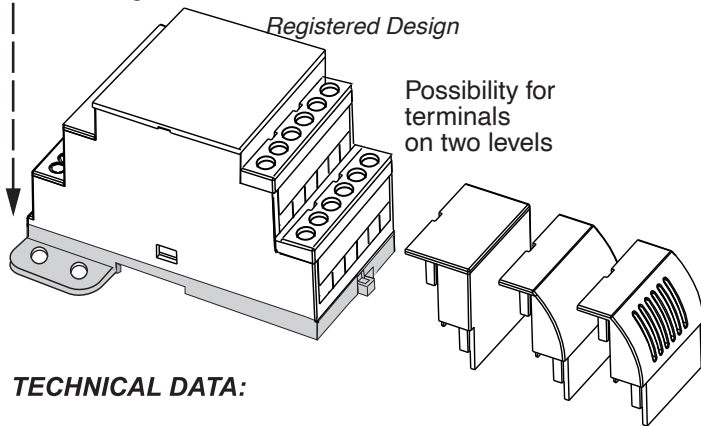
"Intelligent designs for high productivity"

2 MODULE ENCLOSURE

FOR M36 DIN-RAIL BUILDING BLOCK METHOD

SERIES
35
mm

Wall mounting feet available



With the advantage of the building block method you can flexibly build your own DIN-rail enclosures with the option of printed circuit boards with terminals on two board levels.

The possibility of mixing single and double covers with different openings for connectors and with and without ventilation gives not only very wide options of connections, but also design wise it offers virtual custom specific enclosure/designs. Due to designed covers it is possible to add different and individual features to the design.

TECHNICAL DATA:

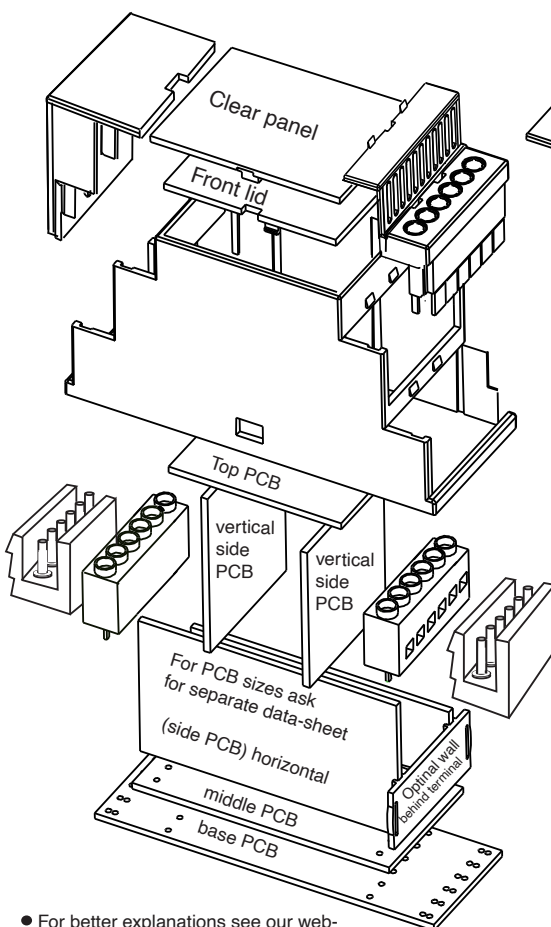
TOP PART:

Material: Lexan 940
 Colour: Grey (RAL 7035)
 Max.temperature: 100°C
 Width: 35.0 mm
 (2 modules)
 Self-extinguishing: Acc. to UL94-V0

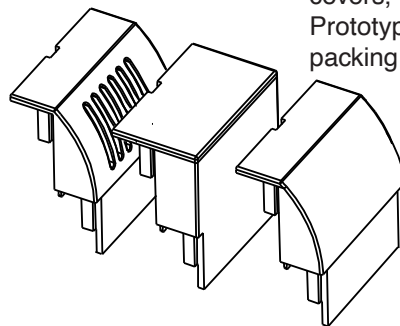
BASE PART:

Material: Noryl VO 1550
 Colour: Black (RAL 9005)
 Max.temperature: 100°C
 Terminals: Up to 24 fixed or (4x6) plugable
 DIN-rail (EN50022)
 Mounting: DIN-rail (EN50022)
 Self-extinguishing: Acc. to UL94-V0

Interconnections in form of pin headers and distance pcs/spacers from board level to board level are available. Red, smoked, transparent lid and open front is available. Hinged lid and extended height is available upon request. Options: Printed numbers and symbols on the cover and colour coded covers. Series 35 is, if requested, available with customer specified holes in front, covers, panels and lid. Prototype PCB, customized label and packing are available.



Many different covers available



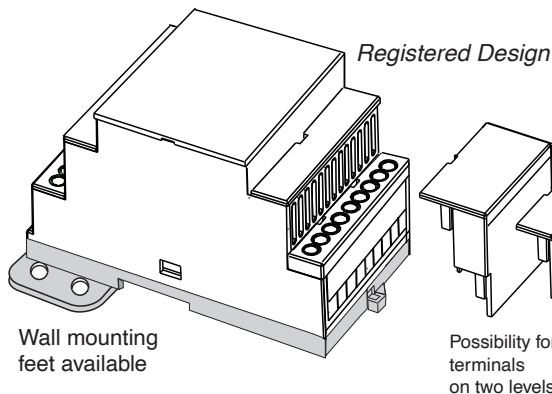
TYPE 35:	ORDER CODE:
Top part	p/n 8888350001
Cover Low Closed	p/n 8845350101
Cover Low with oval hole (605)	p/n 8845350201
Cover Low, closed, ventilated	p/n 8845350401
Cover Low knock-out	p/n 8845350501
Cover Large, closed, 2-steps	p/n 8845351201
Cover Large, closed, ventilated	p/n 8845351301
Cover Large, closed, curved	p/n 8845351401
Cover, Large, closed, curved, ventilated	p/n 8845351501
Cover, Large, knock-out	p/n 8845351601
Cover, Large, oval hole	p/n 8845351701
Base part with clip and 2 screws	p/n 4969002351
Transparent panel	p/n 4969001350
Smoke coloured lid	p/n 4969001354
Red transparent lid	p/n 4969001355
Grey lid	p/n 8845350801
Partition plate (behind terminals)	p/n 8845351101
Terminal 257/6, VE/A, 5.08, PCB part	p/n 3955706380
Terminal 256/6, VE, 5.08, wire part	p/n 3955609780
Terminal 605/6, fixed terminals	p/n 3950146108

- For better explanations see our web-site for interactive presentation.
- Please note that most plugable terminals are in 5,08 pitch and need a bigger hole in the PCB

Many more p/n available - please enquire

"Intelligent designs for high productivity"
3 MODULE ENCLOSURE
FOR M 36 DIN-RAIL BUILDING BLOCK METHOD

SERIES
52
mm



Wall mounting feet available

Possibility for terminals on two levels

With the advantage of the building block method you can flexibly build your own DIN-rail enclosures with the option of printed circuit boards with terminals on two board levels.

The possibility of mixing single and double covers with different openings for connectors and with and without ventilation gives not only very wide options of connections, but also design wise it offers virtual custom specific enclosure/ designs. Due to designed covers it is possible to add different and individual features to the design.

TECHNICAL DATA:

TOP PART:

Material: Lexan 940
 Colour: Grey (RAL 7035)
 Max. temperature: 100°C
 Width: 52,5 mm (3 modules)
 Self-extinguishing: Acc. to UL94-V0

BASE PART:

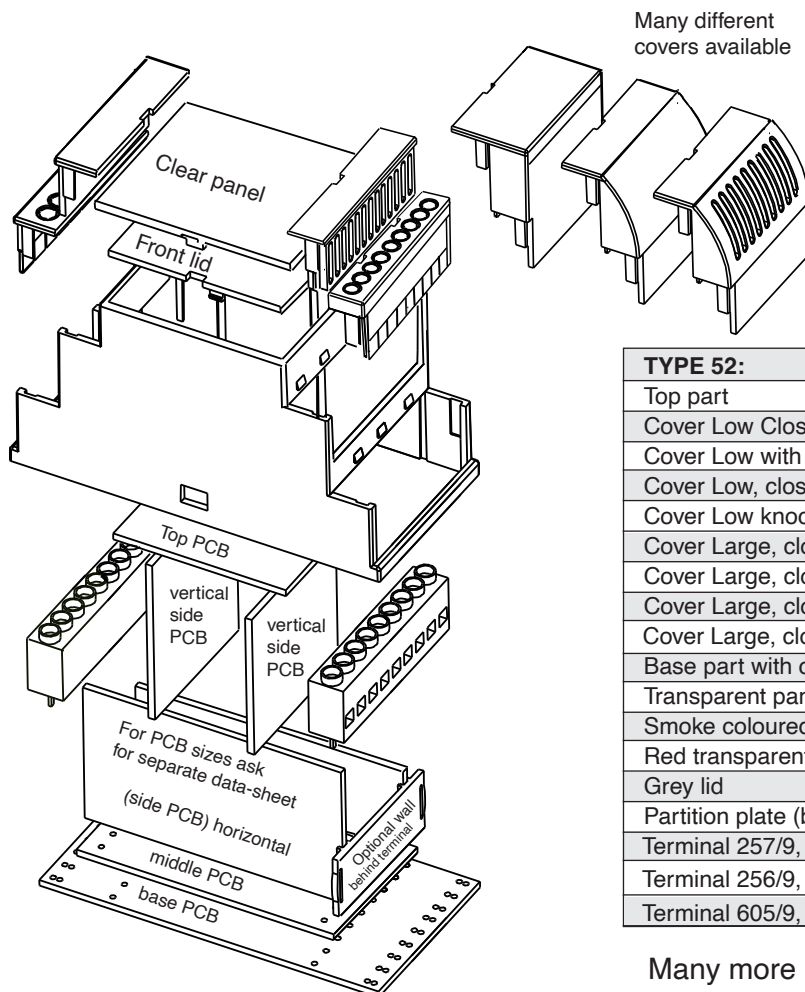
Material: Noryl VO 1550
 Colour: Black (RAL 9005)
 Max. temperature: 100°C
 Terminals: Up to 36 fixed or (4x9) plugable
 Mounting: DIN-rail (EN50022)
 Self-extinguishing: Acc. to UL94-V0

Interconnections in form of pin headers and distance pcs/spacers from board level to board level are available.

Red, smoked, transparent lid and open front is available.

Hinged lid and extended height is available upon request.

Options: Printed numbers and symbols on the cover and colour coded covers. Series 52 is, if requested, available with customer specified holes in front, covers, panels and lid. Proto type PCB, customized label and packing are available.



TYPE 52:	ORDER CODE:
Top part	p/n 8888525001
Cover Low Closed	p/n 8845525101
Cover Low with oval hole (605)	p/n 8845525601
Cover Low, closed, ventilated	p/n 8845525301
Cover Low knock-out	p/n 8845525501
Cover Large, closed, 2-steps	p/n 8845525201
Cover Large, closed, ventilated	p/n 8845525801
Cover Large, closed, curved	p/n 8845525401
Cover Large, closed, curved, ventilated	p/n 8845525701
Base part with clip and 2 screws	p/n 8842525002
Transparent panel	p/n 4969025258
Smoke coloured lid	p/n 4969035258
Red transparent lid	p/n 4969045258
Grey lid	p/n 8845525901
Partition plate (behind terminals)	p/n 8845525111
Terminal 257/9, VE/A, 5.08, PCB part	p/n 3955709380
Terminal 256/9, VE, 5.08, wire part	p/n 3955609780
Terminal 605/9, fixed terminals	p/n 3950149108

Many more p/n available - please enquire.

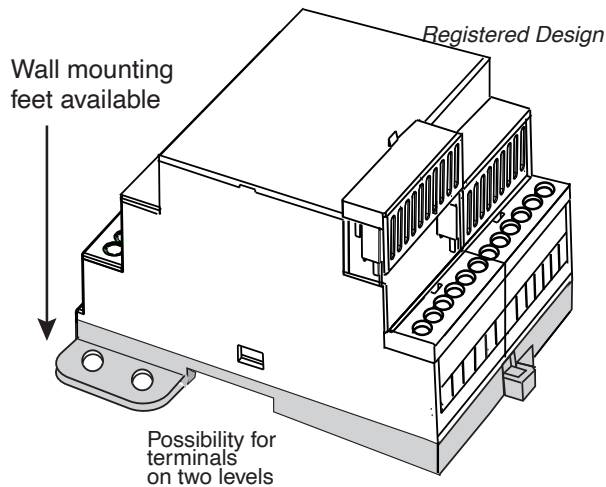
● For better explanations see our web-site for interactive presentation.

●● Please note that most plugable terminals are in 5,08 pitch and need a bigger hole in the PCB

"Intelligent designs for high productivity"

4 MODULE ENCLOSURES FOR M 36 DIN-RAIL BUILDING BLOCK METHOD

SERIES
70
mm



With the advantage of the building block method you can flexibly build your own DIN-rail enclosures with the option of printed circuit boards with terminals on two board levels.

The possibility of mixing single and double covers with different openings for connectors and with and without ventilation gives not only very wide options of connections, but also design wise it offers virtual custom specific enclosure/ designs. Due to designed covers it is possible to add different and individual features to the design.

TECHNICAL DATA:

TOP PART:

Material: Lexan 940
 Colour: Grey (RAL 7035)
 Max. temperature: 100°C
 Width: 70.0 mm
 (4 modules)
 Self-extinguishing: Acc. to UL94-V0

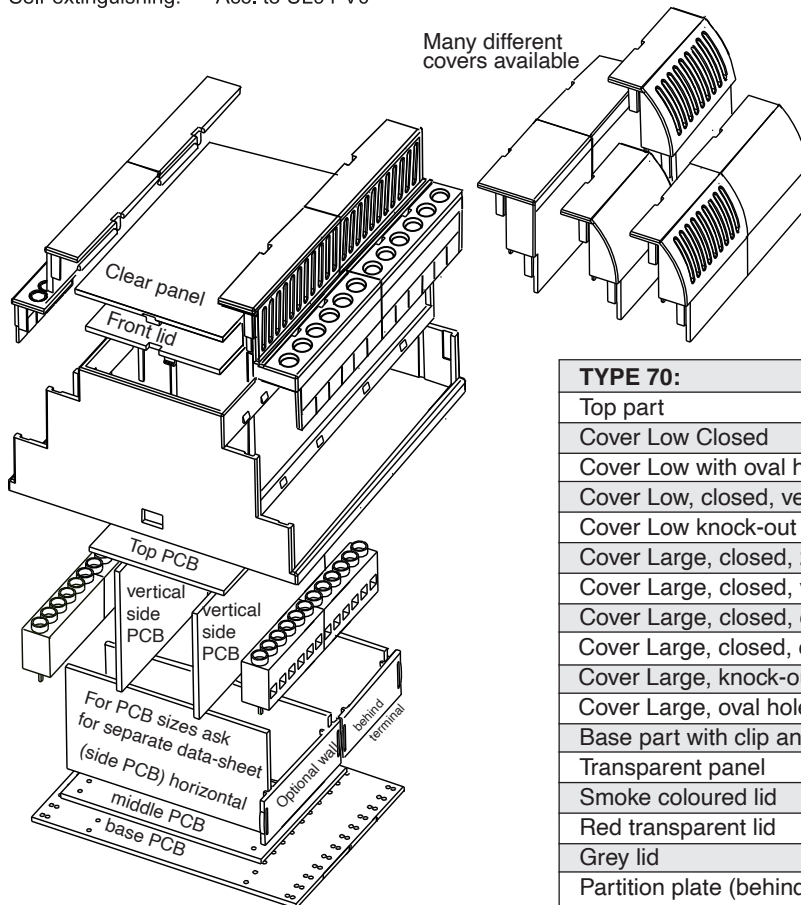
BASE PART:

Material: Noryl VO 1550
 Colour: Black (RAL 9005)
 Max. temperature: 100°C
 Terminals: Up to 48 fixed or
 (8x6) plugable
 Mounting: DIN-rail (EN50022)
 Self-extinguishing: Acc. to UL94-V0

Interconnections in form of pin headers and distance pcs/spacers from board level to board level are available.

Red, smoked, transparent lid and open front is available. Hinged lid and extended height is available upon request.

Options: Printed numbers and symbols on the cover and colour coded covers. Series 70 is, if requested, available with customer specified holes in front, covers, panels and lid. Prototype PCB, customized label and packing are available.



TYPE 70:	ORDER CODE:
Top part	p/n 8888700001
Cover Low Closed	p/n 8845350101
Cover Low with oval hole (605)	p/n 8845350201
Cover Low, closed, ventilated	p/n 8845350401
Cover Low knock-out	p/n 8845350501
Cover Large, closed, 2-steps	p/n 8845351201
Cover Large, closed, ventilated	p/n 8845351301
Cover Large, closed, curved	p/n 8845351401
Cover Large, closed, curved, ventilated	p/n 8845351501
Cover Large, knock-out	p/n 8845351601
Cover Large, oval holes	p/n 8845351701
Base part with clip and 2 screws	p/n 4969002701
Transparent panel	p/n 4969001700
Smoke coloured lid	p/n 4969001710
Red transparent lid	p/n 4969001720
Grey lid	p/n 8845700801
Partition plate (behind terminals)	p/n 8845351101
Terminal 257/6, VE/A, 5.08, PCB part	p/n 3955706380
Terminal 256/6, VE, 5.08, wire part	p/n 3955609780
Terminal 605/6, fixed terminals	p/n 3950146108

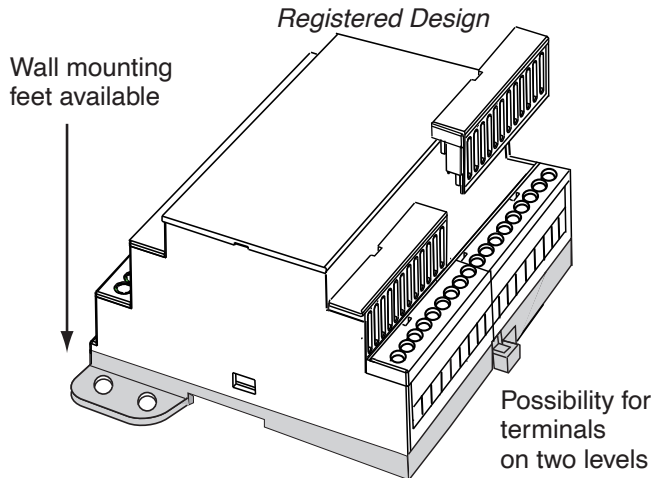
- For better explanations see our web-site for interactive presentation.
- Please note that most plugable terminals are in 5,08 pitch and need a bigger hole in the PCB

Many more p/n available - please enquire.

"Intelligent designs for high productivity"

6 MODULE ENCLOSURES FOR M 36 DIN-RAIL BUILDING BLOCK METHOD

SERIES
105
mm



With the advantage of the building block method you can flexibly build your own DIN-rail enclosures with the option of printed circuit boards with terminals on two board levels.

The possibility of mixing single and double covers with different openings for connectors and with and without ventilation gives not only very wide options of connections, but also design wise it offers virtual custom specific enclosure/ designs. Due to designed covers it is possible to add different and individual features to the design.

TECHNICAL DATA:

TOP PART:

Material: Lexan 940
 Colour: Grey (RAL 7035)
 Max. temperature: 100°C
 Width: 105 mm (6 modules)
 Self-extinguishing: Acc. to UL94-V0

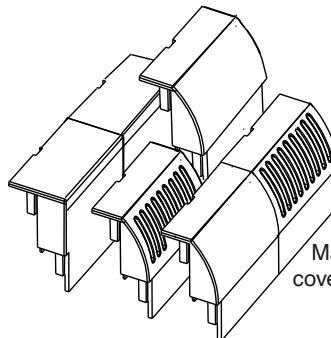
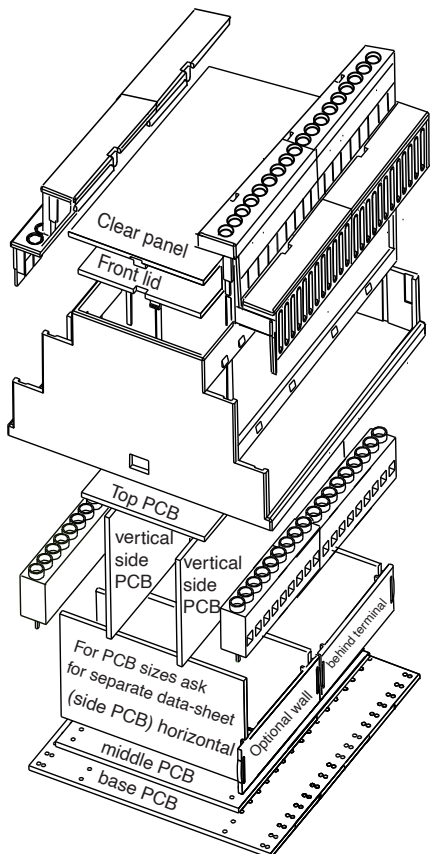
BASE PART:

Material: Noryl VO 1550
 Colour: Black (RAL 9005)
 Max. temperature: 100°C
 Terminals: Up to 72 fixed or (8x9) plugable
 Mounting: DIN-rail (EN50022)
 Self-extinguishing: Acc. to UL94-V0

Interconnections in form of pin headers and distance pcs/spacers from board level to board level are available.

Red, smoked, transparent lid and open front is available. Hinged lid and extended height is available upon request.

Options: Printed numbers and symbols on the cover and colour coded covers. Series 105 is, if requested, available with customer specified holes in front, covers, panels and lid. Prototype PCB, customized label and packing are available.



TYPE 105:	ORDER CODE:
Top part	p/n 8845105001
Cover Low Closed	p/n 8845525101
Cover Low with oval hole (605)	p/n 8845525601
Cover Low, closed, ventilated	p/n 8845525301
Cover Low knock-out	p/n 8845525501
Cover Large, closed, 2-steps	p/n 8845525201
Cover Large, closed, ventilated	p/n 8845525801
Cover Large, closed, curved	p/n 8845525401
Cover Large, closed, curved, ventilated	p/n 8845525701
Base part with clip and 2 screws	p/n 4969021051
Transparent panel	p/n 4969011050
Smoke coloured lid	p/n 4969011051
Red transparent lid	p/n 4969011052
Grey lid	p/n 8845105801
Partition plate (behind terminals)	p/n 8845525111
Terminal 257/9, VE/A, 5.08, PCB part	p/n 3955709580
Terminal 256/9, VE, 5.08, wire part	p/n 3955609780
Terminal 605/9, fixed terminals	p/n 3950149108

• For better explanations see our web-site for interactive presentation.

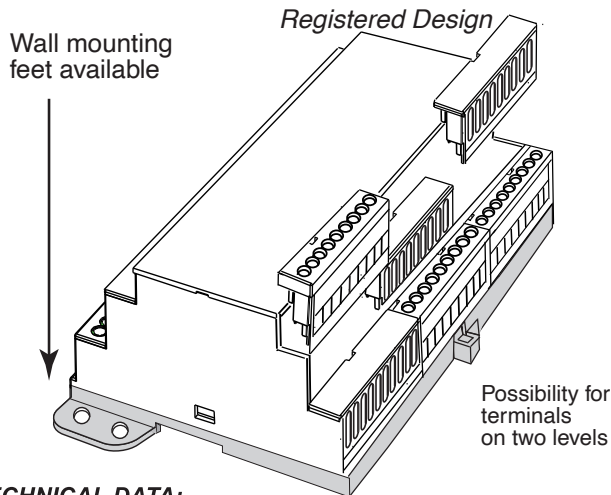
•• Please note that most plugable terminals are in 5,08 pitch and need a bigger hole in the PCB

Many more p/n available - please enquire.

"Intelligent designs for high productivity"

9 MODULE ENCLOSURES FOR M 36 DIN-RAIL BUILDING BLOCK METHOD

SERIES
157
mm



With the advantage of the building block method you can flexibly build your own DIN-rail enclosures with the option of printed circuit boards with terminals on two board levels.

The possibility of mixing single and double covers with different openings for connectors and with and without ventilation gives not only very wide options of connections, but also design wise it offers virtual custom specific enclosure/ designs. Due to designed covers it is possible to add different and individual features to the design.

TECHNICAL DATA:

TOP PART:

Material: Lexan 940
 Colour: Grey (RAL 7035)
 Max. temperature: 100°C
 Width: 157 mm
 (9 modules)
 Self-extinguishing: Acc. to UL94-V0

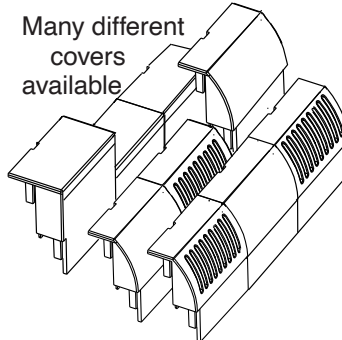
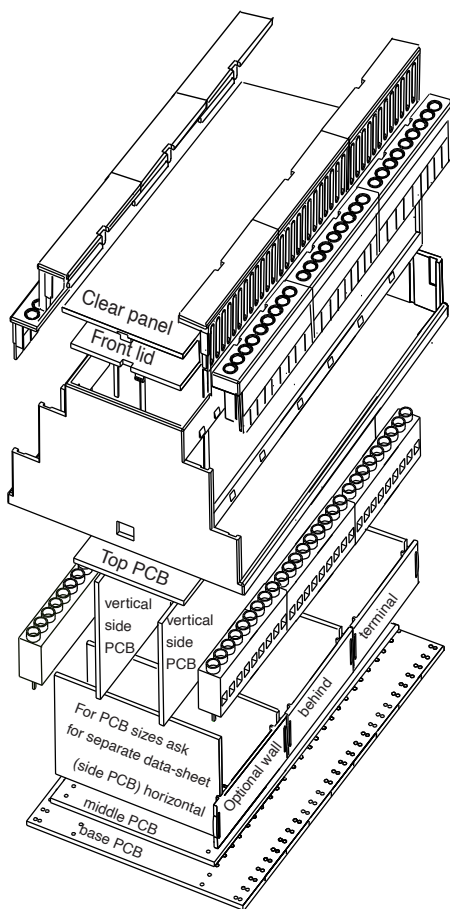
BASE PART:

Material: Noryl VO 1550
 Colour: Black (RAL 9005)
 Max. temperature: 100°C
 Terminals: Up to 108 fixed or (12x9) plugable
 Mounting: DIN-rail (EN50022)
 Self-extinguishing: Acc. to UL94-V0

Interconnections in form of pin headers and distance pcs/spacers from board level to board level are available.

Red, smoked, transparent lid and open front is available. Hinged lid and extended height is available upon request.

Options: Printed numbers and symbols on the cover and colour coded covers. Series 157 is, if requested, available with customer specified holes in front, covers, panels and lid. Prototype PCB, customized label and packing are available.



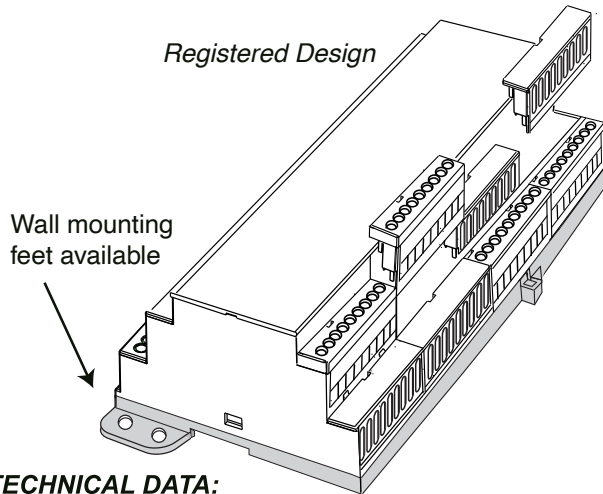
TYPE 157:	ORDER CODE:
Top part	p/n 8845157001
Cover Low Closed	p/n 8845525101
Cover Low with oval hole (605)	p/n 8845525601
Cover Low, closed, ventilated	p/n 8845525301
Cover Low knock-out	p/n 8845525501
Cover Large, closed, 2-steps	p/n 8845525201
Cover Large, closed, ventilated	p/n 8845525801
Cover Large, closed, curved	p/n 8845525401
Cover Large, closed, curved, ventilated	p/n 8845525701
Base part with clip and 2 screws	p/n 4969021571
Transparent panel	p/n 4969011570
Smoke coloured lid	p/n 4969011571
Red transparent lid	p/n 4969011572
Grey lid	p/n 8845157801
Partition plate (behind terminals)	p/n 8845525111
Terminal 257/9, VE/A, 5.08, PCB part	p/n 3955709380
Terminal 256/9, VE, 5.08, wire part	p/n 3955609780
Terminal 605/9, fixed terminals	p/n 3950149108

- For better explanations see our web-site for interactive presentation.
- Please note that most plugable terminals are in 5,08 pitch and need a bigger hole in the PCB

"Intelligent designs for high productivity"

12 MODULE ENCLOSURES FOR M 36 DIN-RAIL BUILDING BLOCK METHOD

**SERIES
210
mm**



With the advantage of the building block method you can flexibly build your own DIN-rail enclosures with the option of printed circuit boards with terminals on two board levels.

The possibility of mixing single and double covers with different openings for connectors and with and without ventilation gives not only very wide options of connections, but also design wise it offers virtual custom specific enclosure/ designs. Due to designed covers it is possible to add different and individual features to the design.

TECHNICAL DATA:

TOP PART:

Material: Lexan 940
 Colour: Grey (RAL 7035)
 Max. temperature: 100°C
 Width: 210 mm
 (12 modules)
 Self-extinguishing: Acc. to UL94-V0

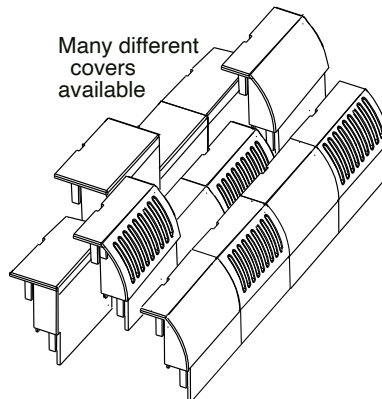
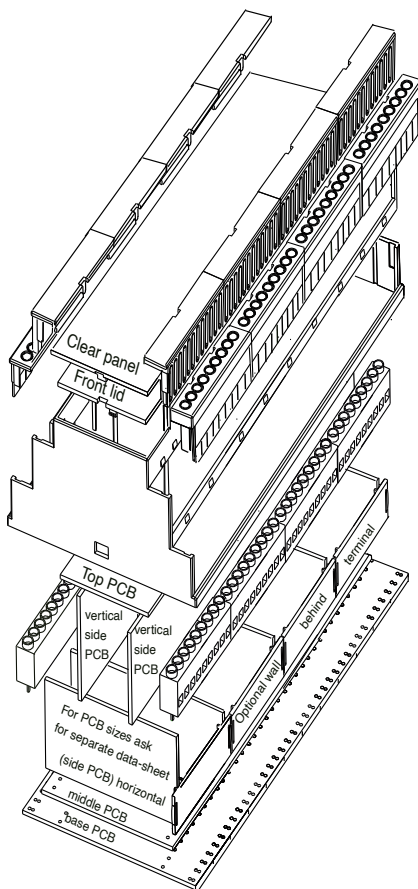
BASE PART:

Material: Noryl VO 1550
 Colour: Black (RAL 9005)
 Max. temperature: 100°C
 Terminals: Up to 144 fixed or
 (16x9) plugable
 Mounting: DIN-rail (EN50022)
 Self-extinguishing: Acc. to UL94-V0

Interconnections in form of pin headers and distance pcs/spacers from board level to board level are available.

Red, smoked, transparent lid and open front is available. Hinged lid and extended height is available upon request.

Options: Printed numbers and symbols on the cover and colour coded covers. Series 210 is, if requested, available with customer specified holes in front, covers, panels and lid. Prototype PCB, customized label and packing are available.

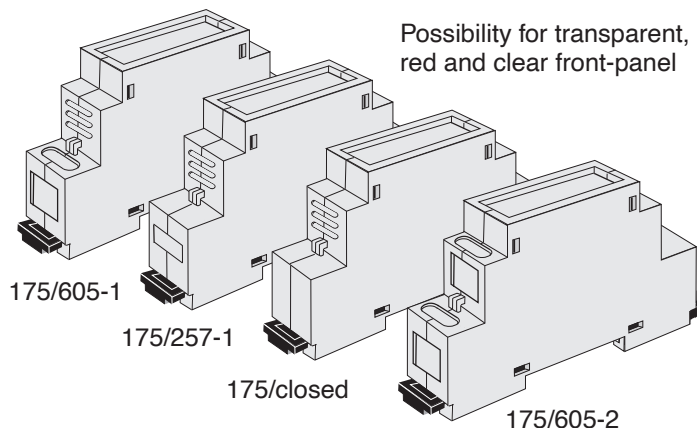


TYPE 210:	ORDER CODE:
Top part	p/n 8845210001
Cover Low Closed	p/n 8845525101
Cover Low with oval hole (605)	p/n 8845525601
Cover Low, closed, ventilated	p/n 8845525301
Cover Low knock-out	p/n 8845525501
Cover Large, closed, 2-steps	p/n 8845525201
Cover Large, closed, ventilated	p/n 8845525801
Cover Large, closed, curved	p/n 8845525401
Cover Large, closed, curved, ventilated	p/n 8845525701
Base part with clip and 2 screws	p/n 8842210201
Transparent panel	p/n 4969001210
Smoke coloured lid	p/n 4969001211
Red transparent lid	p/n 4969001212
Grey lid	p/n 8845210801
Partition plate (behind terminals)	p/n 8845525111
Terminal 257/9, VE/A, 5.08, PCB part	p/n 3955609780
Terminal 256/9, VE, 5.08, wire part	p/n 3955609780
Terminal 605/9, fixed terminals	p/n 3950149108

- For better explanations see our web-site for interactive presentation.
- Please note that most plugable terminals are in 5,08 pitch and need a bigger hole in the PCB

1 MODULE ENCLOSURE FOR M36 DIN-RAIL

SERIES
175



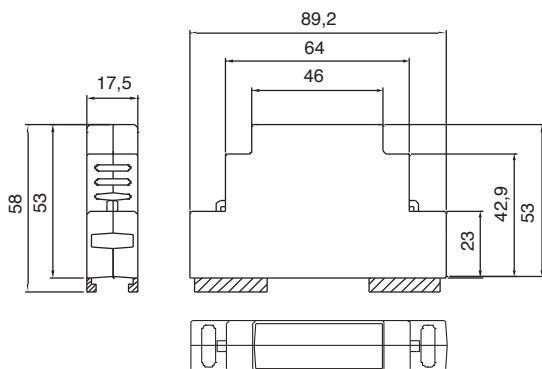
Module enclosure for M36 DIN-rail. Series 175 is, if requested, available in several colours and with custom made holes in the front. PCB, customized label and packing is available. Possibility for both base and top PCB.

TECHNICAL DATA:

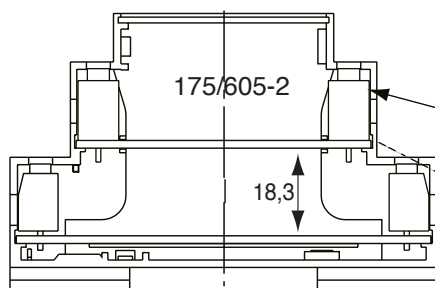
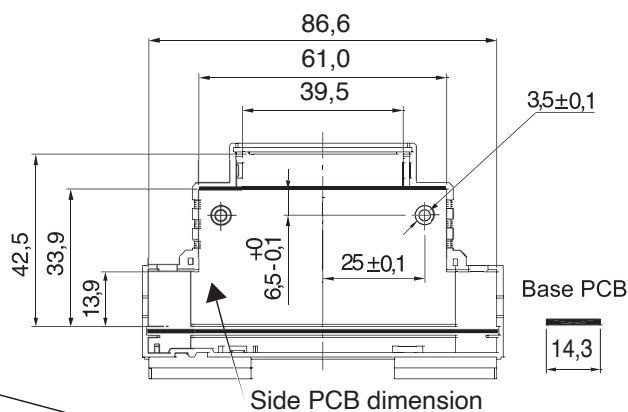
TOP PART:

Material: PC (ABS on request)
 Colour: Grey (RAL 7035)
 Max. temperature: 100°C
 Width: 175 mm
 Self-extinguishing: Acc. to UL94-V0
 Max. wire dia.: 2 x 2.5 mm²
 Terminals: 3 x (2 or 4) fixed or plug
 Mounting: DIN-rail (EN50022).

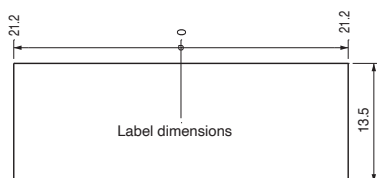
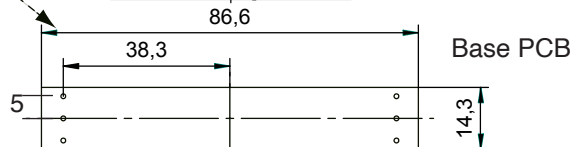
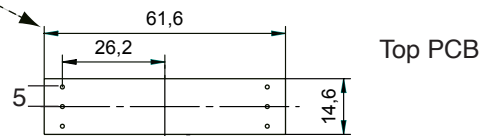
NEW! Possibility for up to 12 terminals



Side PCB dimension



605 Terminal or
Lumberg Terminal

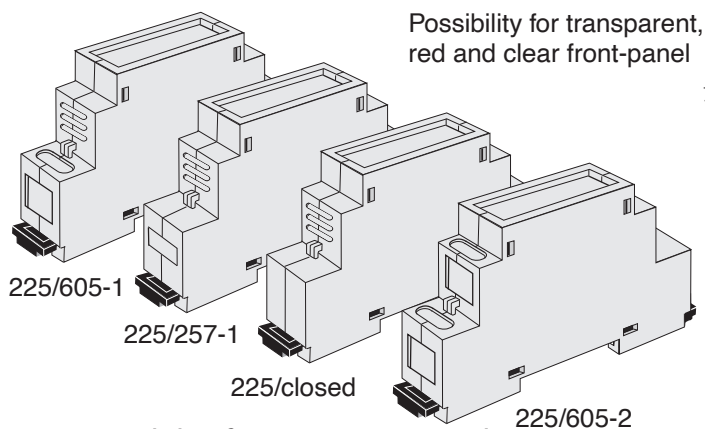


TYPE 175/605	ORDER CODE
175/605-1 complete: 2 shells + 2 clips + 1 front cover + 2 screws	p/n 4969001750
175/605-2 complete	p/n 4969021752
175/257-1 complete	p/n 4969001757
175/ closed - complete	p/n 4969001755
Packing for 175	p/n 2068175000
Terminal for 175 605/3 fixed	p/n 3950143108

● All measurements are in mm.

1½ MODULE ENCLOSURE FOR M36 DIN-RAIL

SERIES 225



Possibility for transparent, red and clear front-panel

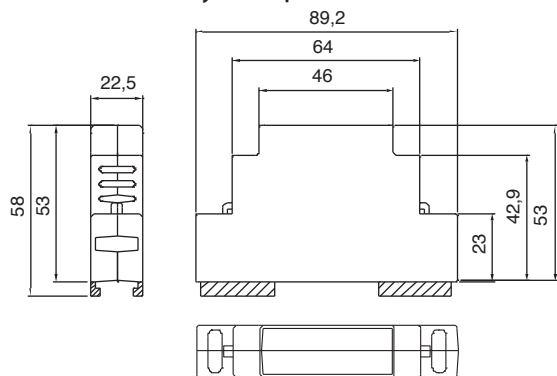
Module enclosure for M36 DIN-rail. Series 225 is, if requested, available in several colours and with custom made holes in the front. Lid, PCB, customized label and packing is available. Possibility for both base and top PCB.

TECHNICAL DATA:

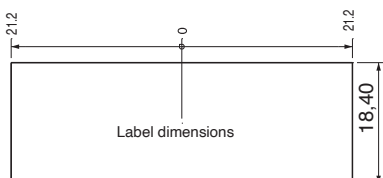
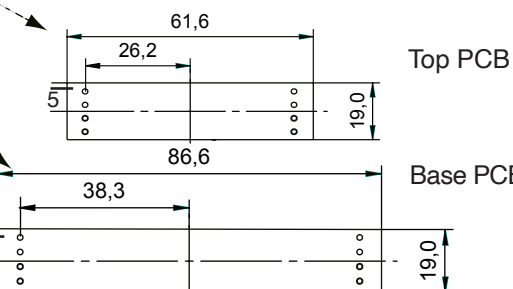
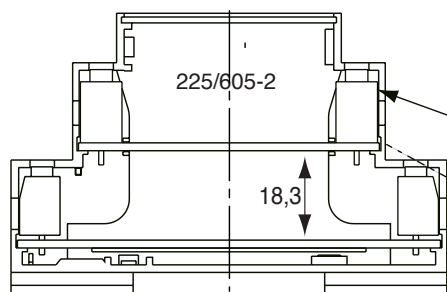
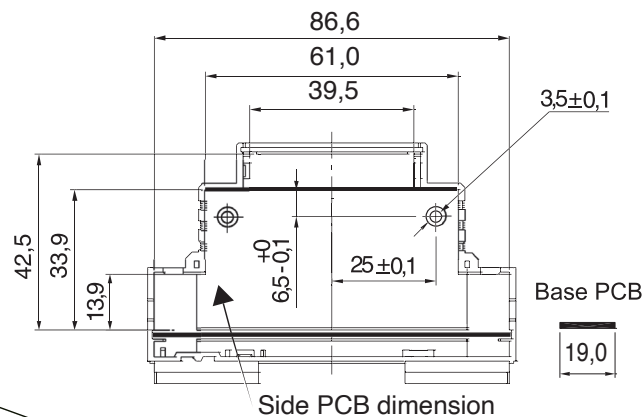
TOP PART:

Material:	PC (ABS on request)
Colour:	Grey (RAL 7035)
Max. temperature:	100°C
Width:	225 mm
Self-extinguishing:	Acc. to UL94-V0
Max. wire dia.:	2 x 2.5 mm ²
Terminals:	4 x (2 or 4) fixed or plug
Mounting:	DIN-rail (EN50022).

NEW! Possibility for up to 16 terminals



Side PCB dimensions

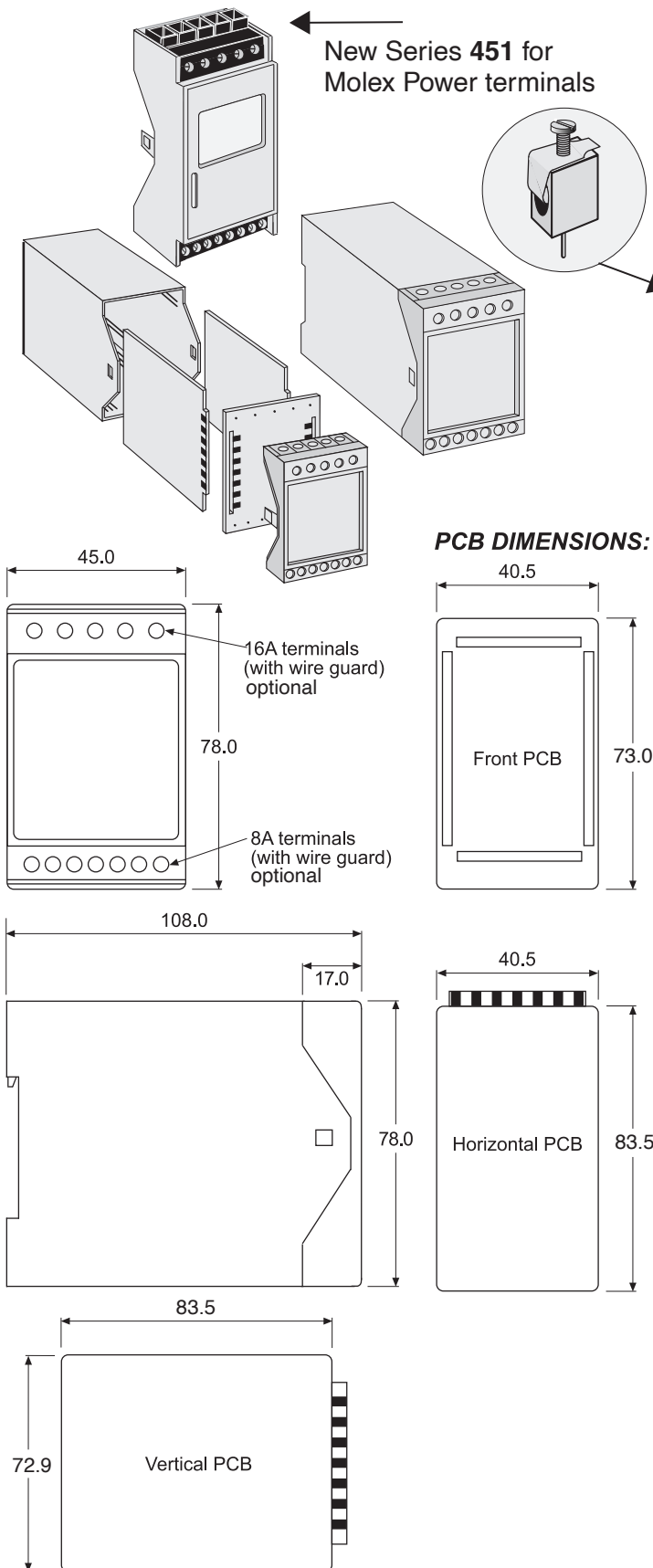


TYPE 225/605	ORDER CODE
225/605-1 complete: 2 shells + 2 clips + 1 front cover + 2 screws	p/n 4969225605
225/605-2 complete	p/n 4969225205
225/257-1 complete	p/n 4969225257
225/ closed - complete	p/n 4969225100
Packing for 225 (on request only)	p/n 2068225000
Terminal for 225 605/4 fixed	p/n 3950144108

● All measurements are in mm.

ENCLOSURE FOR M36 DIN-RAIL

SERIES 450



New Series 451 for
Molex Power terminals

Module enclosure for M36 DIN-rail. To be used in a closed rack or installation box. Series 450 is, if requested, available in several colours and with customer specified holes in the front and base part. PCB and packing are available. Possibility for both vertical and horizontal PCB. Many PCB arrangements are possible.

Wire guards for the terminals are available on request.

TECHNICAL DATA:

TOP PART:

Material:	Lexan 940
Colour:	Grey (RAL 7035)
Max. temperature:	100°C
Max. wire dia. for big terminals, 5 pcs:	2 x 2.5mm ² or 1 x 4mm ²
Max. wire dia. for small terminals, 7 pcs:	1 x 2.5 mm ²
Max. load, big:	16A
Max. load, small:	8A
Terminals, total:	12 (5 big + 7 small)
Self-extinguishing:	Acc. to UL94-V0
Label measure:	40.5 x 54.0 mm

BASE PART:

Material:	Lexan 940
Colour:	Grey (RAL 7035)
Mounting:	DIN-rail (EN50022)
Max. temperature:	100°C
Width:	45 mm
Self-extinguishing:	Acc. to UL94-V0

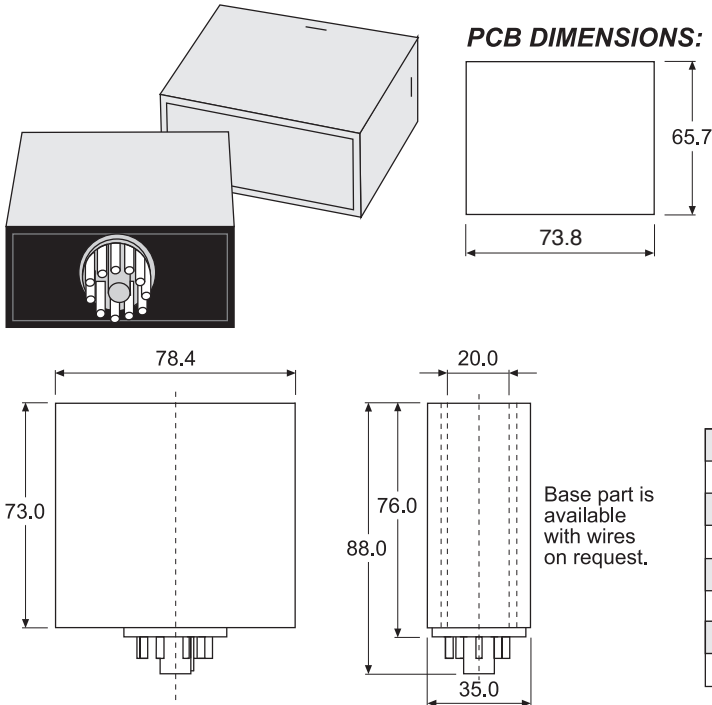
TYPE 450:	ORDER CODE:
Complete	p/n 4969003450
Top part without terminals	p/n 4969000450
Top part, 5 + 7 terminals	p/n 4969001450
Base part	p/n 4969002450
DIN-rail clip	p/n 0669000605
Raw PCB for 450, horizontal 40.5 x 74.0 mm	p/n 4999000450
Raw PCB for 450, vertical, 40.5 x 80.0 mm	p/n 4999001450
Raw PCB for 450, vertical, 74.0 x 80.0 mm	p/n 4999002450
Packing w/print	p/n 2068450001
8A terminal + screw	p/n 4969450999
16A terminal + screw	p/n 4969000999

PCB only available on request

● All measurements are in mm.

DIN-RAIL MOUNTED ENCLOSURE

SERIES 500



DIN-rail mounted enclosure with 11 pin-header. PCB and packing are available. A 15 mm trimmer like the PCV 215/30 10k can be in the center.

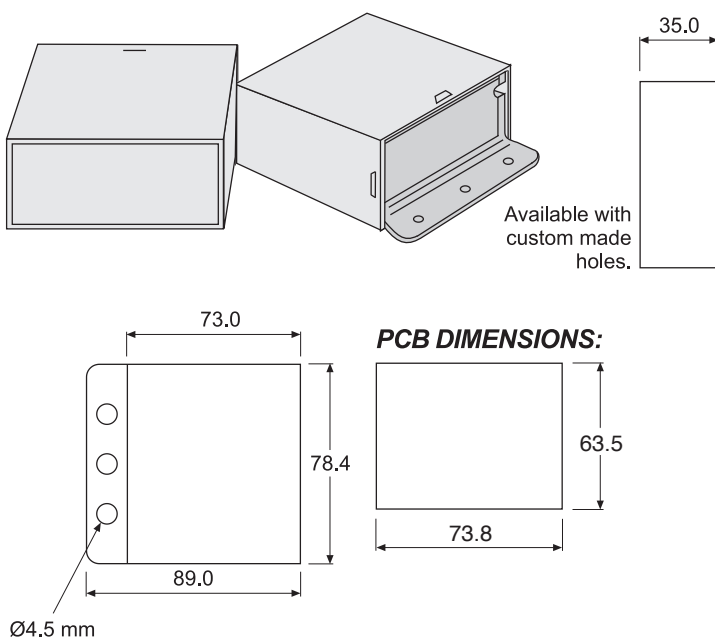
TECHNICAL DATA:

Top part: Lexan 940
 Base part: Noryl
 Colour: Grey/black (Standard) (RAL 7035/RAL 7021)
 Temperature range: -30 - + 100°C
 Self-extinguishing: Acc. to UL94-VO
 Label dimension: 31.0 x 74.0
 Creepage-distance pin to pin: > 4mm
 Rated and maximum voltage pin to pin: 250 V
 Rated and maximum current pr. pin: 10A

TYPE 500:	ORDER CODE:
Top part, grey, RAL 7035	p/n 2069020500
Top part, black, RAL 7021	p/n 2069040500
Top part, blue, RAL 5015	p/n 2069030500
Top part, green, Pantone 3275	p/n 2069050500
Base part/11 pin, black, RAL 7021	p/n 2069000512
Packing	p/n 2068500001
Trimmer PCV 215/30 10k, lin.	p/n 0207240103

FLANGE MOUNTED ENCLOSURE

SERIES 501



Flange mounted enclosure to be used for thermostats, relay boxes etc. PCB and packing are available.

TECHNICAL DATA:

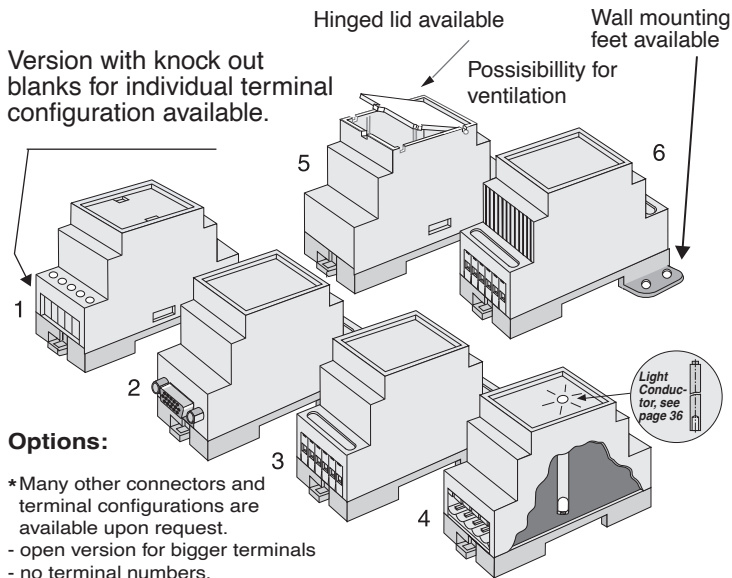
Top part: Lexan 940
 Base part: Valox 357
 Colour: Black/black (RAL7021/RAL7021)
 Temperature range: -30 - +100°C
 Label dimension: 31.0 x 74.0
 Self-extinguishing: Acc. to UL94-VO

TYPE 501:	ORDER CODE:
Top part, grey, RAL 7035	p/n 2069020500
Top part, black, RAL 7021	p/n 2069040500
Top part, blue, RAL 5015	p/n 2069030500
Top part, green, Pantone 3275	p/n 2069050500
Base part, black, RAL 7021	p/n 2069000502
Packing	p/n 2068500001

● All measurements are in mm.

2 MODULE ENCLOSURE FOR M36 DIN-RAIL

SERIES 350



Options:

- * Many other connectors and terminal configurations are available upon request.
- open version for bigger terminals
- no terminal numbers.
- red, grey or infra-red lid.
- click in frontpanel.
- hinged lid.
- not all versions are available for all sizes.

Module enclosure for M36 DIN-rail. Series 350 is, if requested, available in several colours and with customer specified holes in the front. Lid, PCB, customized label and packing is available.

Possibility for both base and top PCB. Trimmers and spindles that fit the height of the box are available. Hinged lid and open front available.

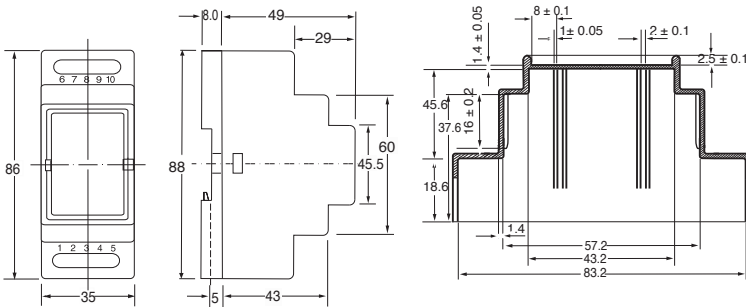
TECHNICAL DATA:

TOP PART:

Material: Lexan 940
 Colour: Grey (RAL 7035)
 Max. temperature: 100°C
 Width: 35.0 mm
 (2 modules)
 Label measure: 41.0 x 30.0 mm
 Self-extinguishing: Acc. to UL94-V0
 IP Protection: IP 20

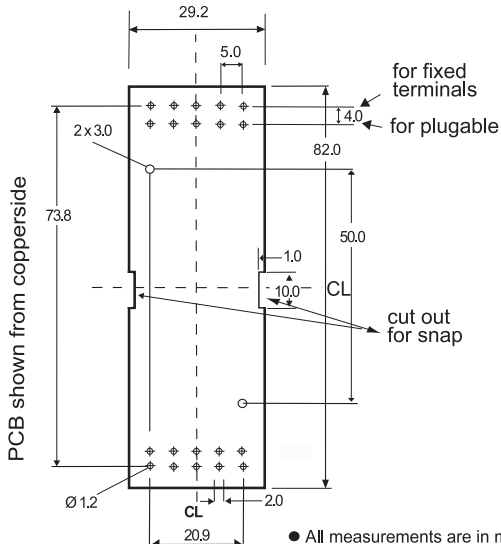
BASE PART:

Material: Noryl VO 1550
 Colour: Black (RAL 7005)
 Max. temperature: 100°C
 Max. wire dia.: 2 x 2.5 mm²
 Max. load: 16A (for higher load please enquire)
 10 fixed or pluggable
 Mounting: DIN-rail (EN50022)
 Self-extinguishing: Acc. to UL94-V0



For detailed drawings please see www.bernic.dk or ask for a CAD drawing

HORIZONTAL PCB DIMENSIONS:



• All measurements are in mm.

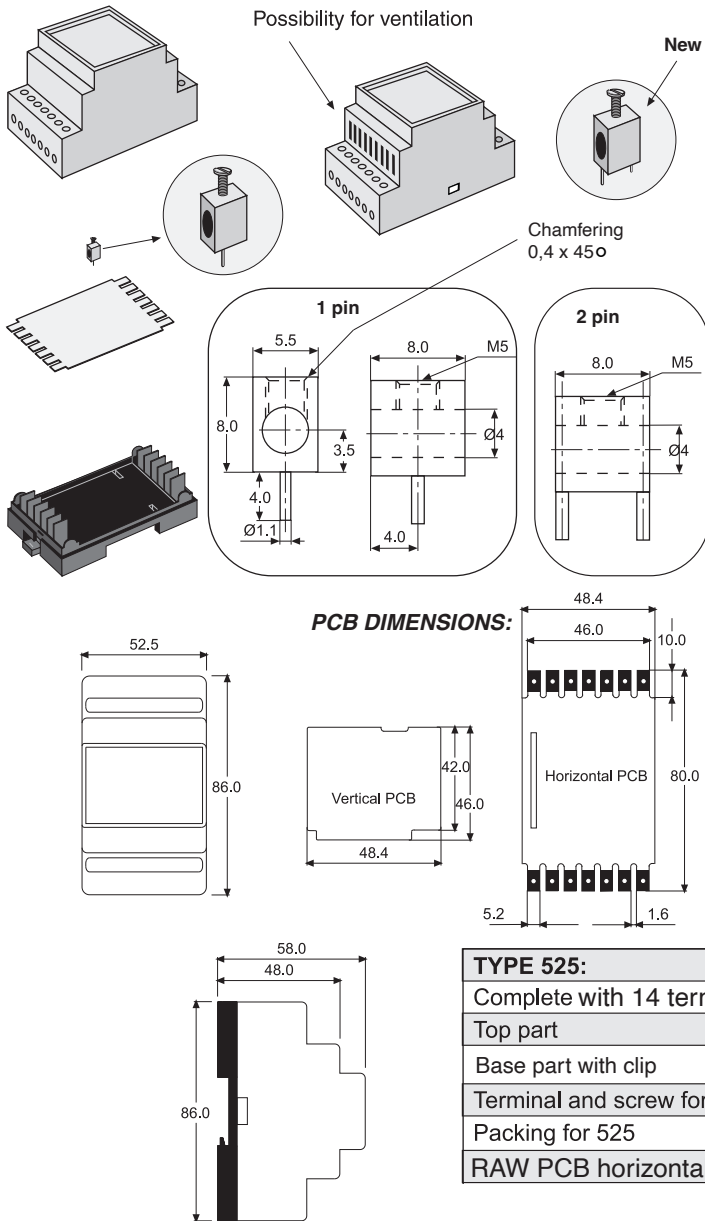
•• Please note that most pluggable terminals are in 5,08 pitch and need a bigger hole in the PCB

TYPE 350:	ORDER CODE:
Complete, 257 for pluggable	p/n 4969010351
Complete, 605 for fixed or screw-less terminals	p/n 4969010352
Complete, 605, ventilated	p/n 4969040355
Complete, closed, no terminals	p/n 4969010350
Complete, knock out	p/n 4969010354
Top part, grey, 257 for pluggable	p/n 4969000351
Top part, grey, 605 for fixed terminals version	p/n 4969000352
Top part, grey, closed, no terminals	p/n 4969000350
Base part with clip and 2 screws	p/n 4969002351
Transparent lid	p/n 4969001350
Grey lid	p/n 4969001351
DIN-rail clip for 350	p/n 0669000605
Terminal for 350, 257/5, HO/A, PCB part	p/n 1155705580
Terminal for 350, 256/5, wire part	p/n 1155605080
Terminal for 350, 605/5, fixed terminals	p/n 3950145108
Packing for 350	p/n 2068350002
Raw PCB for 350	p/n 4999000350
Screw/selfcutting 2 pcs.	p/n 7006102965

Many more p/n available - please enquire

3 MODULE ENCLOSURE FOR M36 DIN-RAIL

SERIES 525



Module enclosure for M36 DIN-rail. Series 525 is, if requested, available in several colours and with custom made holes in the front. PCB and packing is available. Possibility for both base and top PCB. Trimmers and spindles that fit the height of the box are available. Wire guards available on request.

TECHNICAL DATA:

TOP PART:

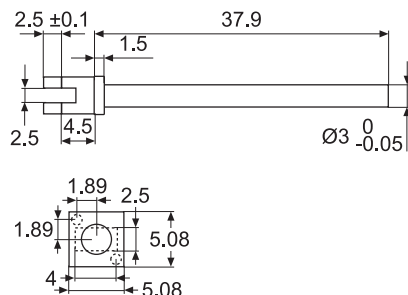
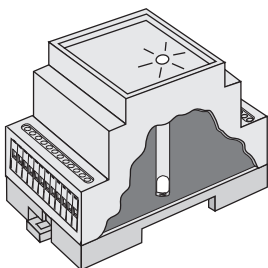
Material: Lexan 940
 Colour: Grey (RAL 7035)
 Max. temperature: 100°C
 Width: 52.5 mm (3 modules)
 Label measurement: 47.0 x 40.5 ± 0.2
 Self-extinguishing: Acc. to UL94-V0

BASE PART:

Material: Noryl VO 1550
 Colour: Black (RAL 7005)
 Max. temperature: 100°C
 Max. wire dia.: 2 x 2.5 mm²
 Max. load: 16A
 Terminals: 14
 Mounting: DIN-rail (EN50022)
 Self-extinguishing: Acc. to UL94-V0

TYPE 525:	ORDER CODE:
Complete with 14 terminals/screws	p/n 4969004525
Top part	p/n 4969000525
Base part with clip	p/n 4969012525
Terminal and screw for 525 (One each)	p/n 4969000999
Packing for 525	p/n 2068525002
RAW PCB horizontal 48.4x80.0 mm	p/n 4999000525

LIGHT CONDUCTOR for 35, 52, 70, 105, 157, 175, 210, 225, 350, 525, 700, 1050 + 1570



Can be used with SMD or leaded Ø3 mm LED's. Material: Clear PC

LIGHT CONDUCTORS

LIGHT CONDUCTOR:	ORDER CODE:
For 3 mm SMD	p/n 4972011259

● All measurements are in mm.

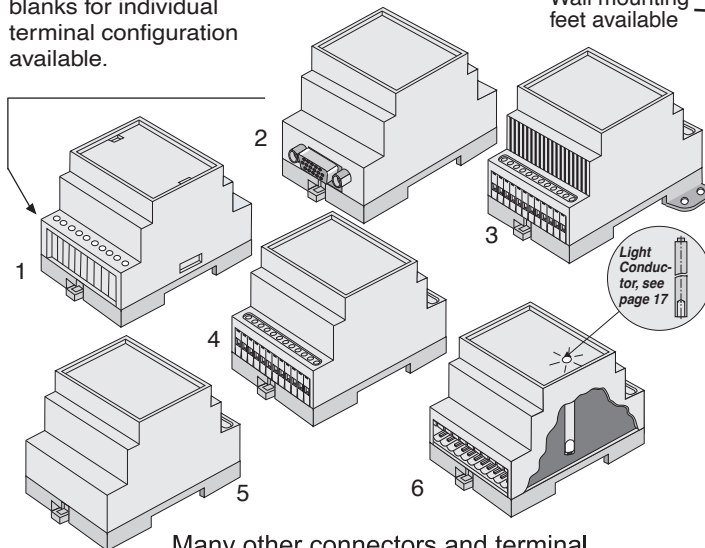
4 MODULE ENCLOSURES FOR M36 DIN-RAIL

SERIES 700

Version with knock out blanks for individual terminal configuration available.

Possibility for ventilation

Wall mounting feet available



Module enclosure for M36 DIN-rail. Series 700 is, if requested, available in several colours and with customer specified holes in the front. Lid, PCB, customized label and packing is available. Possibility for both base and top PCB. A closed version without terminals is also available. Trimmers and spindles that fit the height of the box are available.

Many other connectors and terminal configurations are available upon request.

Options:

- open version for bigger terminals
- no terminal numbers.
- red, grey or infra-red lid.
- click in frontpanel.
- hinged lid.
- not all versions are available for all sizes.

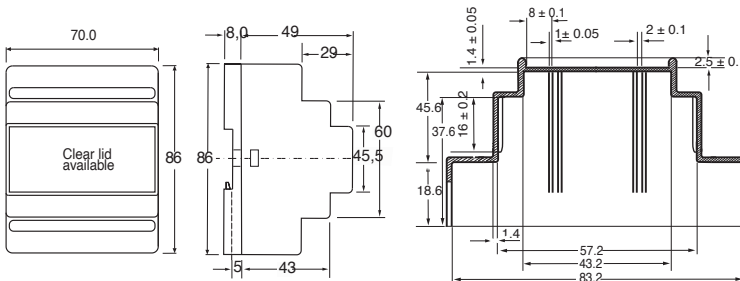
TECHNICAL DATA:

TOP PART:

Material: Lexan 940
 Colour: Grey (RAL 7035)
 Max. temperature: 100°C
 Width: 70.0 mm (4 modules)
 Label measurement: 41.0 x 65.0 mm
 Self-extinguishing: Acc. to UL94-V0
 IP Protection: IP 20

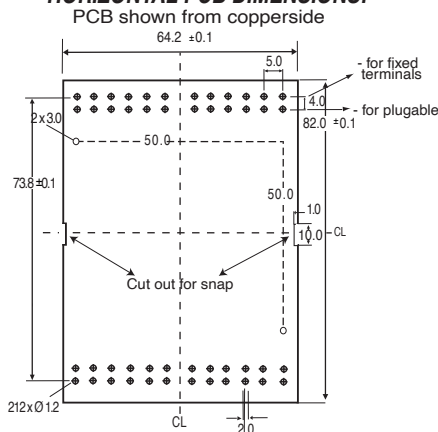
BASE PART:

Material: Noryl VO 1550
 Colour: Black (RAL 9005)
 Max. temperature: 100°C
 Max. wire dia.: 2 x 2.5 mm²
 Max. load: 16A (for higher load please enquire)
 Terminals: 24 fixed or pluggable
 Mounting: DIN-rail (EN50022)
 Self-extinguishing: Acc. to UL94-V0



For detailed drawings please see www.bernic.dk or ask for a CAD drawing

HORIZONTAL PCB DIMENSIONS:



- All measurements are in mm.
- Please note that most pluggable terminals are in 5,08 pitch and need a bigger hole in the PCB

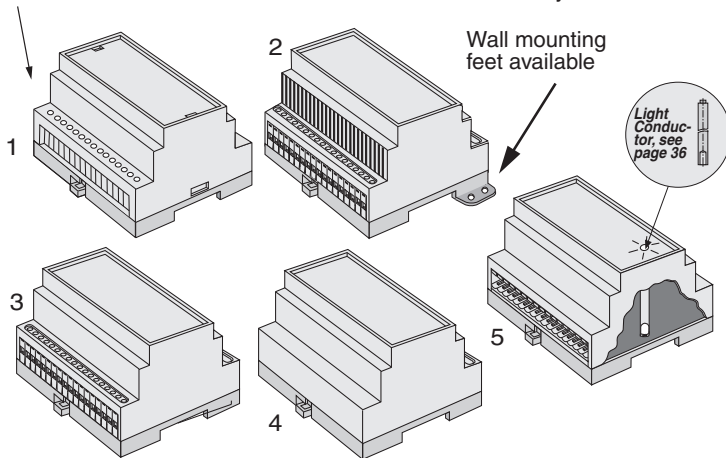
TYPE 700:	ORDER CODE:
Complete, 257 for pluggable	p/n 4969010701
Complete, 257 ventilated	p/n 4969010705
Complete, 605 for fixed terminals	p/n 4969010702
Complete, 605 ventilated	p/n 4969010704
Complete, closed, no terminals	p/n 4969010700
Complete, closed ventilated	p/n 4969010706
Complete, knock out	p/n 4969010703
Complete, knock out ventilated	p/n 4969010707
Top part, grey, 605/250, fixed terminals	p/n 4969000702
Top part, grey, 257 for pluggable	p/n 4969000701
Top part, grey, closed, no terminals	p/n 4969000700
Base part with clip and 2 screws	p/n 4969002701
DIN-rail clip for 700	p/n 0669000604
Transparent lid for 700	p/n 4969001700
Packing for 700	p/n 2068700001
Raw PCB for 700	p/n 4999000700
Terminal for 700, 257/12, HO/A, PCB part	p/n 1155712580
Terminal for 700, 256/12, wire part	p/n 1155612080
Terminal for 700, 605/12, fixed terminals	p/n 3950141208
Screw/selfcutting 2 pcs.	p/n 7006102965

Many more p/n available - please enquire.

6 MODULE ENCLOSURES FOR M36 DIN-RAIL

SERIES 1050

Version with knock out blanks for individual terminal configuration available



Possibility for ventilation

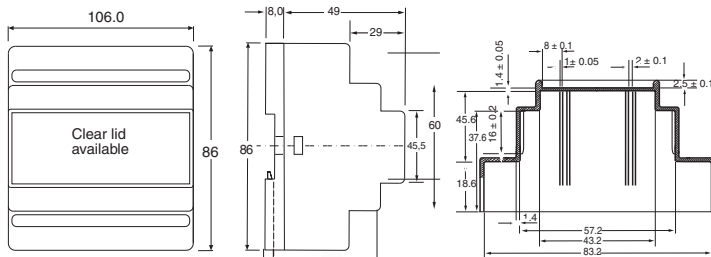
Wall mounting feet available



Many other connectors and terminal configurations are available upon request

Options:

- open version for bigger terminals,
- no terminal numbers.
- red, grey or infra-red lid.
- click in frontpanel.
- hinged lid.
- not all versions are available for all sizes.



For detailed drawings please see www.bernic.dk or ask for a CAD drawing

Module enclosure for M36 DIN-rail. Series 1050 is, if requested, available in several colours and with custom made holes in the front. Lid, PCB, customized label and packing is available. Possibility for both base and top PCB. A closed version without terminals is also available. Trimmers and spindles that fit the height of the box are available.

TECHNICAL DATA

TOP PART:

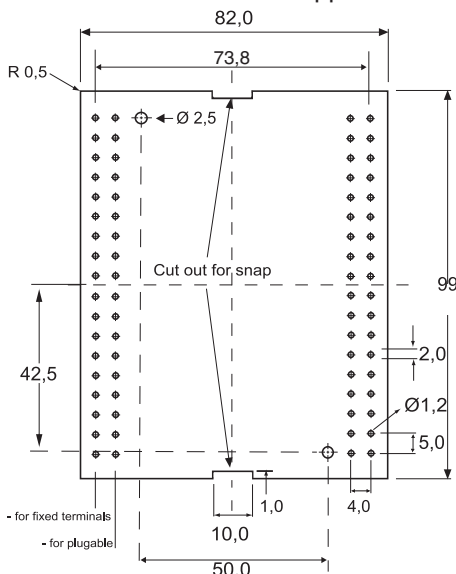
Material:	Lexan 940
Colour:	Grey (RAL 7035)
Max. temperature:	100 C
Width:	105 mm (6 modules)
Label measurement:	41.0 x 100.0 mm
Self-extinguishing:	Acc. to UL94-V0
IP Protection:	IP 20

BASE PART:

Material:	Noryl VO 1550
Colour:	Black (RAL 9005)
Max. temperature:	100° C
Max. wire dia.:	2 x 2.5 mm ²
Max. load:	10A (for higher load please inquire)
Terminals:	36 fixed or plugable
Mounting:	DIN-rail (EN50022)
Self-extinguishing:	Acc. to UL94-V0

HORIZONTAL PCB DIMENSIONS

PCB shown from copper side



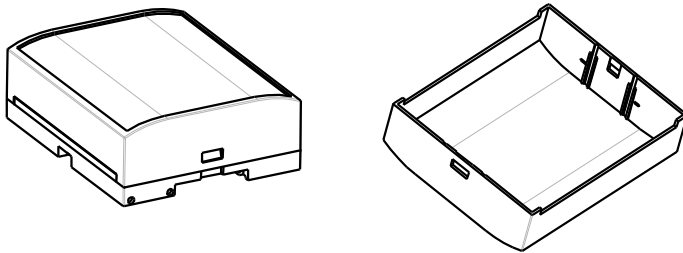
- All measurements are in mm.
- Please note that most plugable terminals are in 5,08 pitch and need a bigger hole in the PCB

TYPE 1050:	ORDER CODE:
Complete, 257 for plugable	p/n 4969101051
Complete, 605 for fixed terminals	p/n 4969101052
Complete, 605, ventilated	p/n 4969101058
Complete, closed, no terminals	p/n 4969101050
Top part, 257, plugable	p/n 4969001051
Top part, 605/250 fixed terminals	p/n 4969001052
Top part, grey, closed, no terminals	p/n 4969001050
Base part with clip and 2 screws	p/n 4969021051
DIN-rail clip for 1050	p/n 0669000604
Transparent lid for 1050	p/n 4969011050
Packing for 1050	p/n 2068105000
PCB for 1050	p/n 4999001050
Terminal for 1050, 257/18, HO/A, PCB part	p/n 1155718580
Terminal for 1050, 256/18, wire part	p/n 1155618080
Terminal for 1050, 605/18, fixed terminals	p/n 3950141808
Screw/selfcutting 2 pcs.	p/n 7006102965

Many more p/n available - please enquire.

6 MODULE LOW ENCLOSURES FOR M36 DIN-RAIL

SERIES
1050
LOW



Module enclosure for M36 DIN-rail. Series 1050 low is, if requested, available in several colours and with custom made holes in the front. Lid, PCB, customized label and packing is available. A closed version without terminals is also available. Trimmers and spindles that fit the height of the box are available.

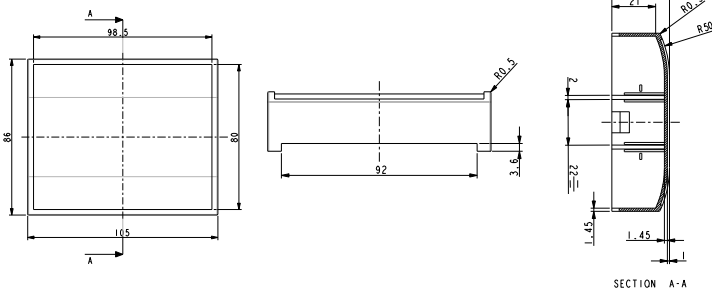
TECHNICAL DATA

TOP PART:

Material: Lexan 940
 Colour: Grey (RAL 7035)
 Max. temperature: 100 C
 Width: 105 mm (6 modules)
 Label measurement: 79.6 x 98.0 mm
 Self-extinguishing: Acc. to UL94-V0
 IP Protection: IP 20

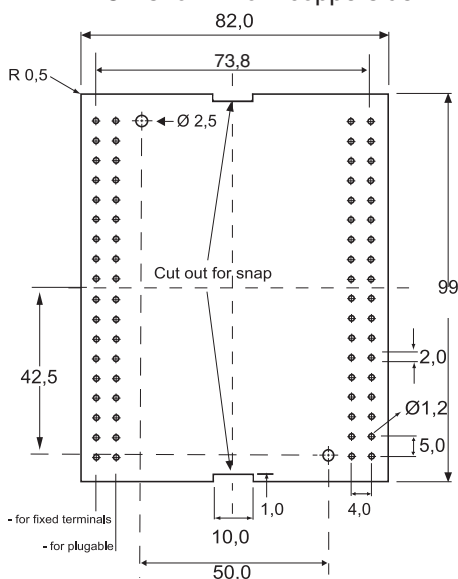
BASE PART:

Material: Noryl VO 1550
 Colour: Black (RAL 9005)
 Max. temperature: 100° C
 Max. wire dia.: 2 x 2.5 mm²
 Max. load: 10A (for higher load please inquire)
 Terminals: 36 fixed or pluggable
 Mounting: DIN-rail (EN50022)
 Self-extinguishing: Acc. to UL94-V0



For detailed drawings please see www.bernic.dk or ask for a CAD drawing

HORIZONTAL PCB DIMENSIONS PCB shown from copper side



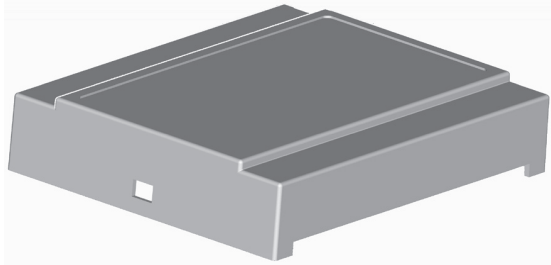
- All measurements are in mm.
- Please note that most pluggable terminals are in 5,08 pitch and need a bigger hole in the PCB

Many more p/n available - please enquire.

TYPE 1050 low:	ORDER CODE:
Complete, 257 for pluggable	p/n 4969101051
Complete, 605 for fixed terminals	p/n 4969101052
Complete, 605, ventilated	p/n 4969101058
Complete, closed, no terminals	p/n 4969101050
Top part, 257, pluggable	p/n 4969001051
Top part, 605/250 fixed terminals	p/n 4969001052
Top part, grey, closed, no terminals	p/n 4969001050
Base part with clip and 2 screws	p/n 4969021051
DIN-rail clip for 1050	p/n 0669000604
Transparent lid for 1050	p/n 4969011050
Packing for 1050	p/n 2068105000
PCB for 1050	p/n 4999001050
Terminal for 1050, 257/18, HO/A, PCB part	p/n 1155718580
Terminal for 1050, 256/18, wire part	p/n 1155618080
Terminal for 1050, 605/18, fixed terminals	p/n 3950141808
Screw/selfcutting 2 pcs.	p/n 7006102965

6 MODULE LOW ENCLOSURES FOR M36 DIN-RAIL

**SERIES
1050
FLAT**

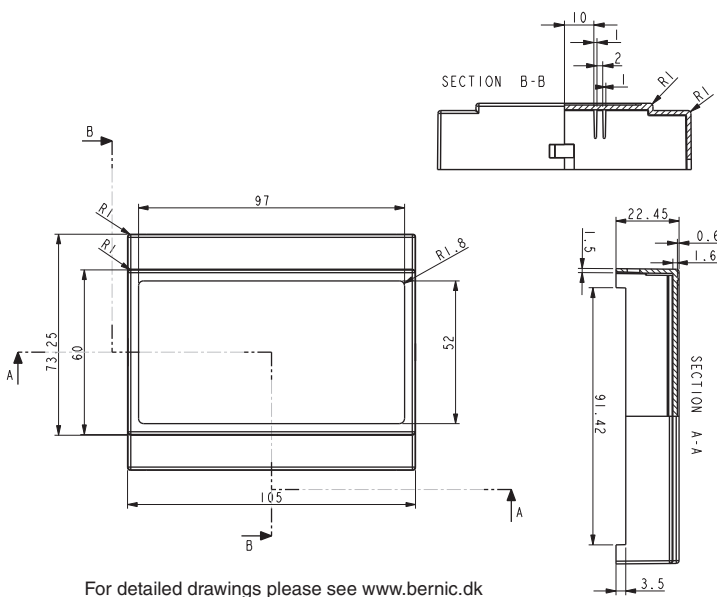


Module enclosure for M36 DIN-rail.

Series 1050 flat is, if requested, available in several colours and with custom made holes in the front.

Lid, PCB, customized label and packing is available. A closed version without terminals is also available.

Trimmers and spindles that fit the height of the box are available.



For detailed drawings please see www.bernic.dk or ask for a CAD drawing

TECHNICAL DATA

TOP PART:

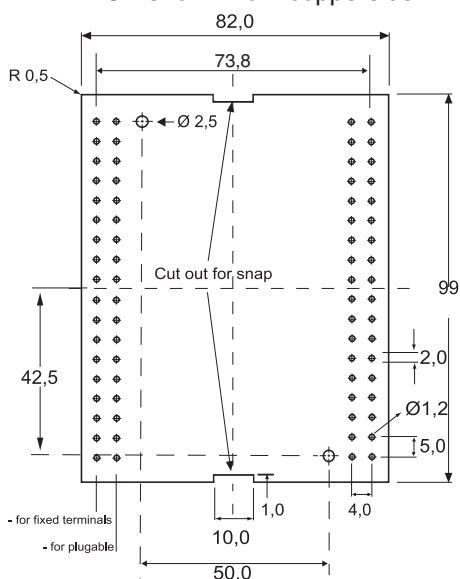
Material: Lexan 940
 Colour: Grey (RAL 7035)
 Max. temperature: 100° C
 Width: 105 mm (6 modules)
 Label measurement: 52 mm x 97 mm
 Self-extinguishing: Acc. to UL94-V0
 IP Protection: IP 20

BASE PART:

Material: Noryl VO 1550
 Colour: Black (RAL 9005)
 Max. temperature: 100° C
 Max. wire dia.: 2 x 2.5 mm²
 Max. load: 10A (for higher load please inquire)
 Terminals: 36 fixed or plugable
 Mounting: DIN-rail (EN50022)
 Self-extinguishing: Acc. to UL94-V0

HORIZONTAL PCB DIMENSIONS

PCB shown from copperside



● All measurements are in mm.

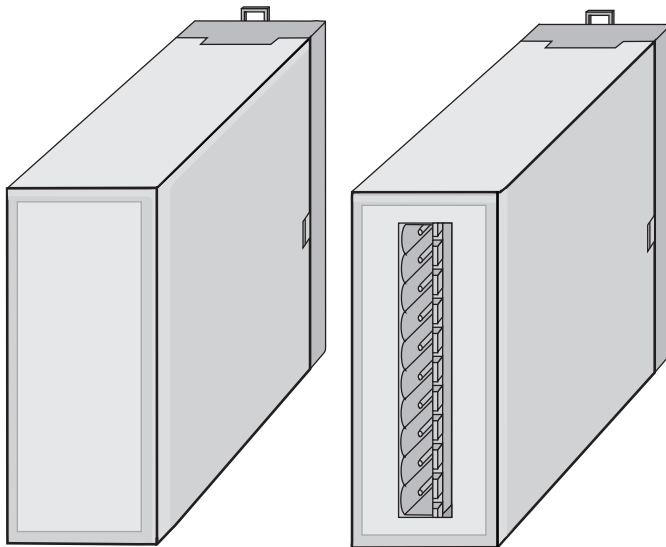
●● Please note that most plugable terminals are in 5,08 pitch and need a bigger hole in the PCB

TYPE 1050 low:	ORDER CODE:
Complete, closed, no terminals	p/n 49793491052
Top part, 257, plugable	p/n 49793491051
Top part, grey, closed, no terminals	p/n 49793491050
Base part with clip and 2 screws	p/n 4969021051
Terminal for 1050, 257/18, HO/A, PCB part	
Terminal for 1050, 256/18, wire part	
Terminal for 1050, 605/18, fixed terminals	
Screw/selfcutting 2 pcs.	

Many more p/n available - please enquire.

DIN-RAIL MOUNTED ENCLOSURE

SERIES 1435



Modular enclosure for M36 DIN-rail. Series 1435 is designed for automations equipment and can be used with a plugable terminal, a D-sub or other kind of connectors in the front. Holes in the front and sides are available according to customer wishes.

TECHNICAL DATA:

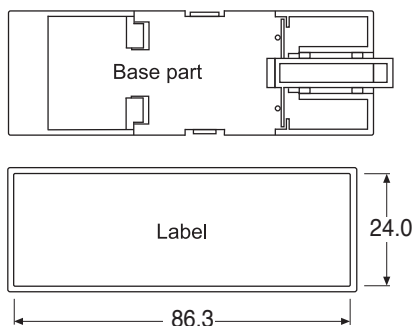
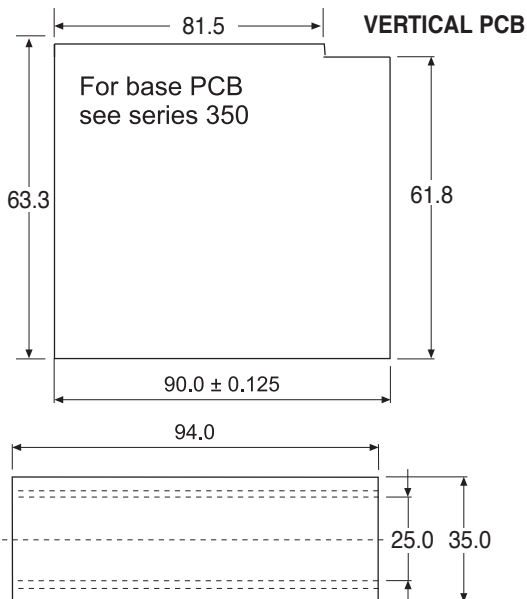
TOP PART:

Material: Lexan 940
 Colour: Grey (RAL 7035)
 Max. temperature: 100°C
 Max. load: 10A
 Terminals: Plugable or D-sub
 Width: 35.0 mm
 (2 modules)
 Label measure: 24.0 x 86.5 mm
 Self-extinguishing: Acc. to UL94-V0

Many other connectors and terminal configurations are available upon request.

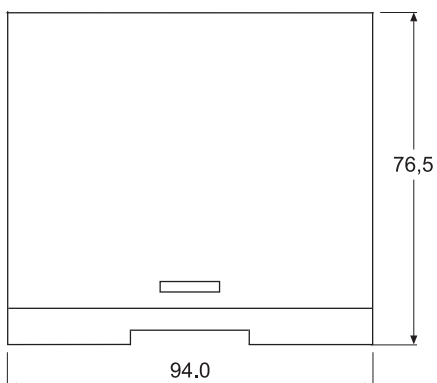
BASE PART:

Material: Noryl VO
 Colour: Black
 Max. temperature: 100°C
 Mounting: DIN-rail (EN50022)
 Self-extinguishing: Acc. to UL94-V0



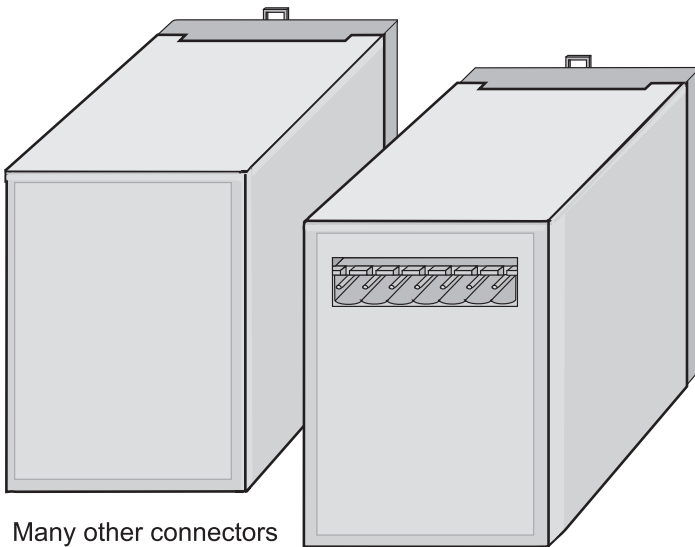
● All measurements are in mm.

TYPE 1435:	ORDER CODE:
Complete	p/n 4969014350
Top, grey	p/n 4969014351
Basepart w. clip + 2 screws	p/n 4969014352
Packing	p/n 2068143500
Terminal type 257/8, HO/A, PCB part	p/n 1155708580
Terminal type 256/8, wire part	p/n 1155608080



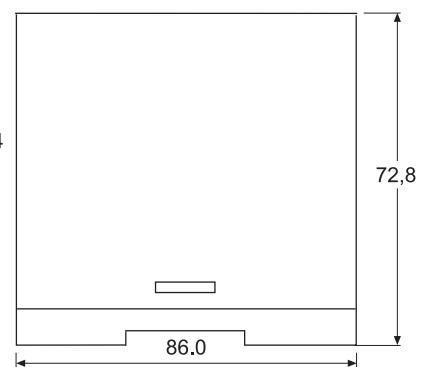
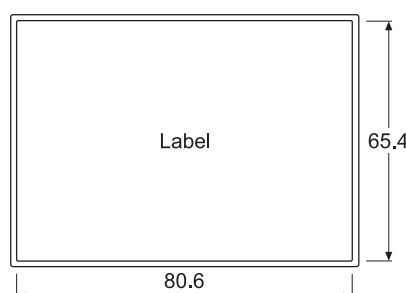
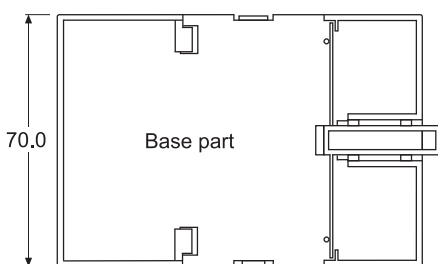
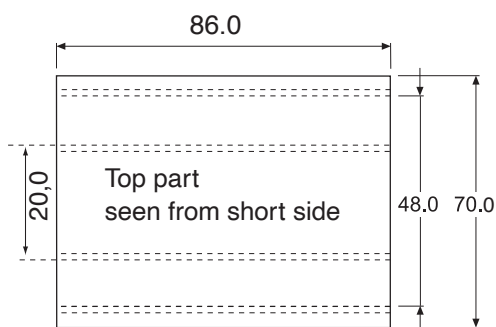
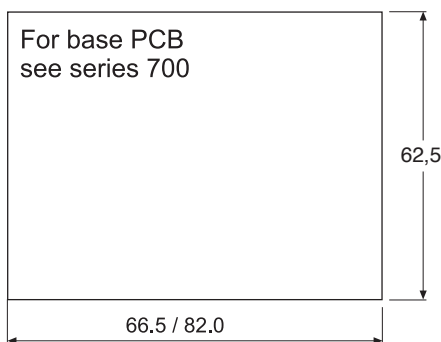
DIN-RAIL MOUNTED ENCLOSURE

SERIES 1470



Many other connectors and terminal configurations are available upon request.

PCB DIMENSIONS (VERTICAL):



● All measurements are in mm.

A standard pluggable terminal (like Phoenix or any other connector) is mounted with the other components to the PCB. The PCB is then slid into the box and the base is clicked on. The unit is ready. The wire part is then just plugged in.

Modular enclosure for M36 DIN-rail. Series 1470 is designed for automations equipment and can be used with pluggable terminals, D-sub or other kind of connectors in the front. Holes in the front and sides are available according to customer wishes.

TECHNICAL DATA:

TOP PART:

Material:	Lexan 940
Colour:	Grey (RAL 7035)
Max. temperature:	100°C
Terminals:	2 x 8 pluggable or D-sub
Width:	70.0 mm (4 modules)
Label measure:	65.4 x 80.6 mm
Self-extinguishing:	Acc. to UL94-V0

BASE PART:

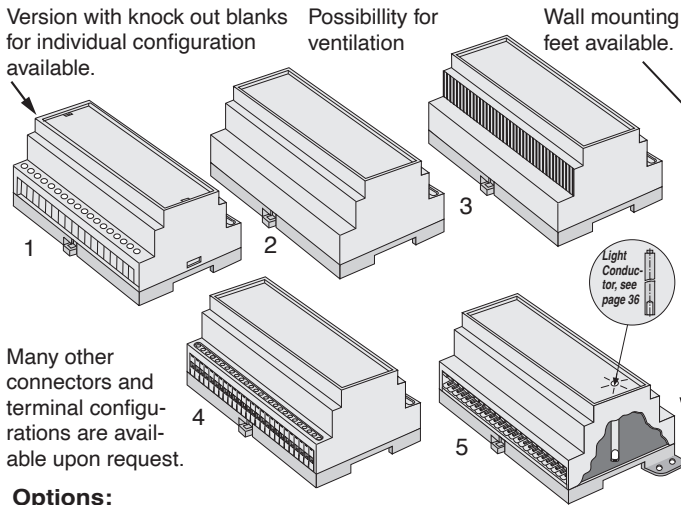
Material:	Noryl VO 1550
Colour:	Black (RAL 7005)
Max. temperature:	100°C
Max. wire dia.:	2 x 2.5 mm ²
Mounting:	DIN-rail (EN50022)
Self-extinguishing:	Acc. to UL94-V0

Advantages: Easy and quick/low cost assembly of the unit. No wires need to be soldered etc. Easy test of the unit. You take only the number of terminals you need - lower cost and no mismatch of the wire/installation possible. The connectors are world wide available from multiple sources.

TYPE 1470:	ORDER CODE:
Complete	p/n 4969014700
Top, grey	p/n 4969014701
Base part with clip + 2 screws	p/n 4969002701
Packing	p/n 2068147000
Terminal type 257/8, HO/A, PCB part	p/n 1155708580
Terminal type 256/8, wire part	p/n 1155608080

9 MODULE ENCLOSURES FOR M36 DIN-RAIL

SERIES 1570



Many other connectors and terminal configurations are available upon request.

Options:

- open version for bigger terminals,
- no terminal numbers.
- red, grey or infra-red lid.
- click in frontpanel.
- hinged lid.
- not all versions are available for all sizes.

Module enclosure for M36 DIN-rail. Series 1570 is, if requested, available in several colours and with custom made holes in the front.

Lid, PCB, customized label and packing is available. Possibility for both base and top PCB. A closed version without terminals is also available.

Trimmers and spindles that fit the height of the box are available.

TECHNICAL DATA:

TOP PART:

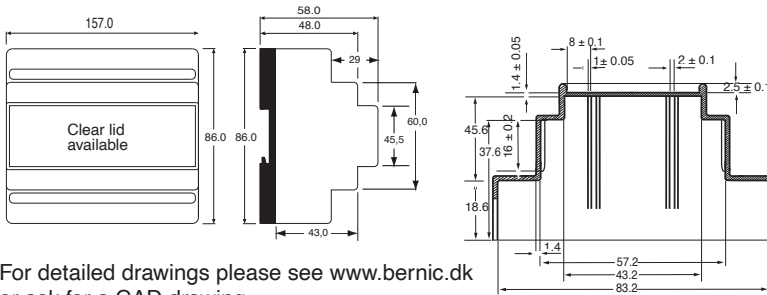
Material: Lexan 940
 Colour: Grey (RAL 7035)
 Max. temperature: 100°C
 Width: 157 mm
 (9 modules)

Label measurement: 41.0 x 152.0 mm
 Self-extinguishing: Acc. to UL94-V0
 IP Protection: IP 20

BASE PART:

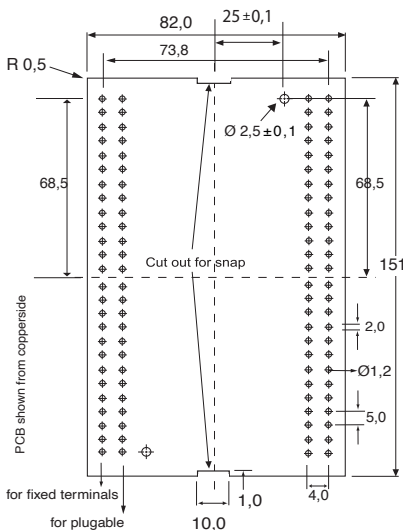
Material: Noryl VO 1550
 Colour: Black (RAL 9005)
 Max. temperature: 100°C
 Max. wire dia.: 2 x 2.5 mm²
 Max. load: 10A (for higher load please enquire)

Terminals: 52 fixed or pluggable
 Mounting: DIN-rail (EN50022)
 Self-extinguishing: Acc. to UL94-V0



For detailed drawings please see www.bernic.dk or ask for a CAD drawing

HORIZONTAL PCB DIMENSIONS:



● All measurements are in mm.

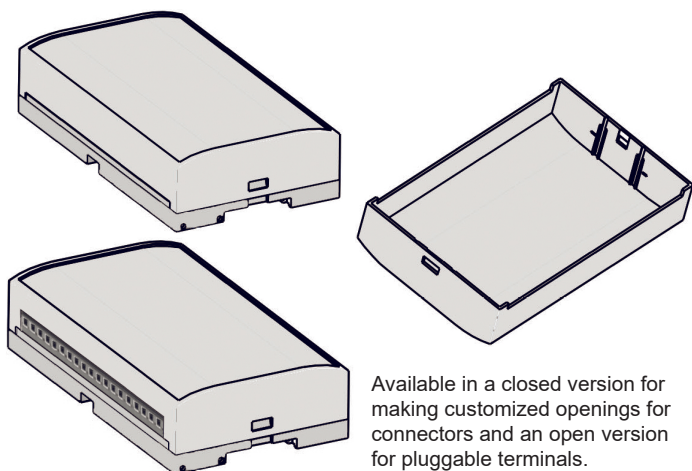
●● Please note that most pluggable terminals are in 5,08 pitch and need a bigger hole in the PCB

TYPE 1570:	ORDER CODE:
Complete, 257 for pluggable	p/n 4969101571
Complete, 605 for fixed terminals	p/n 4969101572
Complete, closed, no terminals	p/n 4969101570
Top part, grey, 605 / 250, fixed terminals	p/n 4969001572
Top part, grey, 257, pluggable	p/n 4969001571
Top part, grey, closed, no terminals	p/n 4969001570
Base part with clip and 2 screws	p/n 4969021571
DIN-rail clip for 1570	p/n 0669000604
Transparent lid for 1570	p/n 4969011570
Packing for 1570	p/n 2068157000
Raw PCB for 1570	p/n 4999001570
Terminal for 1570, 257/13, HO/A, PCB part	p/n 1155713580
Terminal for 1570, 256/13, wire part	p/n 1155613080
Terminal for 1570, 605/13, fixed terminals	p/n 3950141308
Screw/selfcutting 2 pcs.	p/n 7006102965

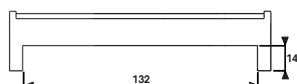
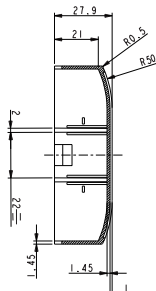
Many more p/n available - please enquire.

9 MODULE LOW ENCLOSURES FOR M36 DIN-RAIL

SERIES
1570
LOW



Available in a closed version for making customized openings for connectors and an open version for pluggable terminals.



Module enclosure for M36 DIN-rail. Series 1570 low is, if requested, available in several colours and with custom made holes in the front. Lid, PCB, customized label and packing is available. A closed version without terminals is also available. Trimmers and spindles that fit the height of the box are available.

TECHNICAL DATA

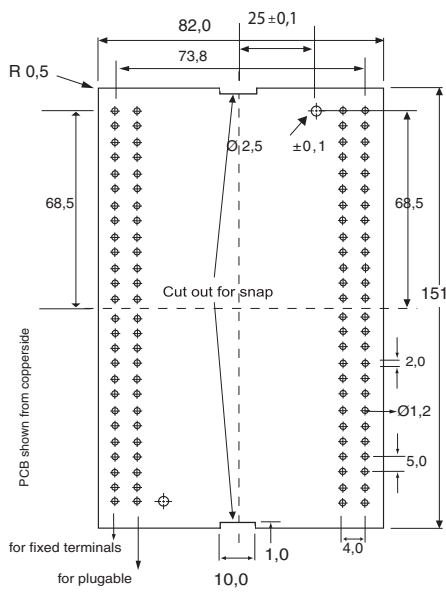
TOP PART:

Material: Lexan 940
 Colour: Grey (RAL 7035)
 Max. temperature: 100° C
 Width: 157 mm (9 modules)
 Label measurement: 79.6 x 150.0 mm
 Self-extinguishing: Acc. to UL94-V0
 IP Protection: IP 20

BASE PART:

Material: Noryl VO 1550
 Colour: Black (RAL 9005)
 Max. temperature: 100° C
 Max. wire dia.: 2 x 2.5 mm²
 Max. load: 10A (for higher load please inquire)
 Terminals: 52 fixed or pluggable
 Mounting: DIN-rail (EN50022)
 Self-extinguishing: Acc. to UL94-V0

HORIZONTAL PCB DIMENSIONS:



- All measurements are in mm.
- Please note that most pluggable terminals are in 5,08 pitch and need a bigger hole in the PCB

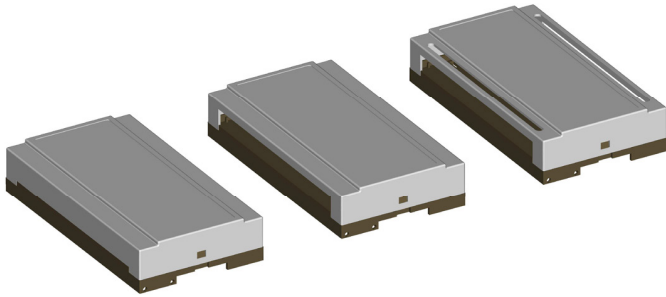
TYPE 1050 low:	ORDER CODE:
Complete, 257 for pluggable	p/n 8069101571
Complete, closed, no terminals	p/n 8069101570
Top part, 257, pluggable	p/n 8069001571
Top part, grey, closed, no terminals	p/n 8069006101
Base part with clip and 2 screws	p/n 4969021571
DIN-rail clip for 1570	p/n 0669000604
Packing for 1570	p/n 2068157000
PCB for 1570	p/n 4999001570
Terminal for 1570, 257/13, HO/A, PCB	p/n 1155718580
part Terminal for 1570, 256/13, wire part	p/n 1155618080
Terminal for 1570, 605/13, fixed terminals	p/n 3950141808
Screw/selfcutting 2 pcs.	p/n 7006102965

Many more p/n available - please enquire.

For detailed drawings please see www.bernic.dk
or ask for a CAD drawing

9 MODULE LOW ENCLOSURES FOR M36 DIN-RAIL

**SERIES
1570
FLAT**



Available in a closed version for making customised openings for connectors and an open version for pluggable terminals.

Module enclosure for M36 DIN-rail. Series 1570 flat is, if requested, available in several colours and with custom made holes in the front.

Lid, PCB, customized label and packing is available.

A closed version without terminals is also available.

Trimmers and spindles that fit the height of the box are available.

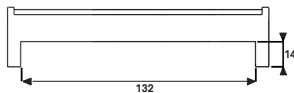
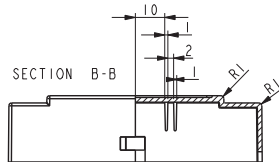
TECHNICAL DATA

TOP PART:

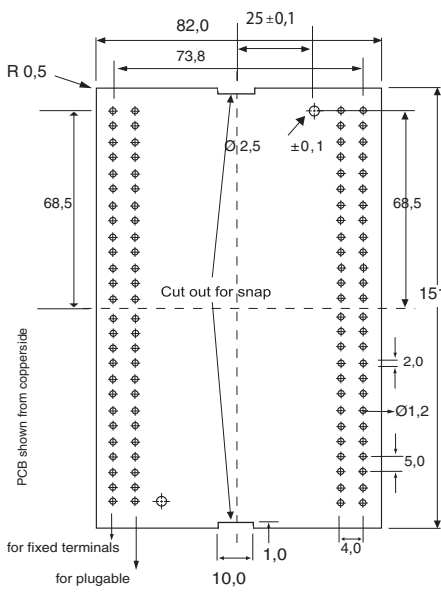
Material: Lexan 945
 Colour: Grey (RAL 7035)
 Max. temperature: 100° C
 Width: 157 mm (9 modules)
 Label measurement: 52 x 150.0 mm
 Self-extinguishing: Acc. to UL94-V0
 IP Protection: IP 20

BASE PART:

Material: Noryl VO 1550
 Colour: Black (RAL 9005)
 Max. temperature: 100° C
 Max. wire dia.: 2 x 2.5 mm²
 Max. load: 10A (for higher load please inquire)
 Terminals: 52 fixed or pluggable
 Mounting: DIN-rail (EN50022)
 Self-extinguishing: Acc. to UL94-V0



HORIZONTAL PCB DIMENSIONS:



- All measurements are in mm.
- Please note that most pluggable terminals are in 5,08 pitch and need a bigger hole in the PCB

TYPE 1570 flat:	ORDER CODE:
Complete, 257 for pluggable	p/n 8069101571
Complete, closed, no terminals	p/n 8069101570
Top part, 257, pluggable	p/n 8069001571
Top part, grey, closed, no terminals	p/n 8069006101
Base part with clip and 2 screws	p/n 4969021571
DIN-rail clip for 1570	p/n 0669000604
Packing for 1570	p/n 2068157000
PCB for 1570	p/n 4999001570
Terminal for 1570, 257/13, HO/A, PCB	p/n 1155718580
part Terminal for 1570, 256/13, wire part	p/n 1155618080
Terminal for 1570, 605/13, fixed terminals	p/n 3950141808
Screw/selfcutting 2 pcs.	p/n 7006102965

Many more p/n available - please enquire.

For detailed drawings please see www.bernic.dk or ask for a CAD drawing

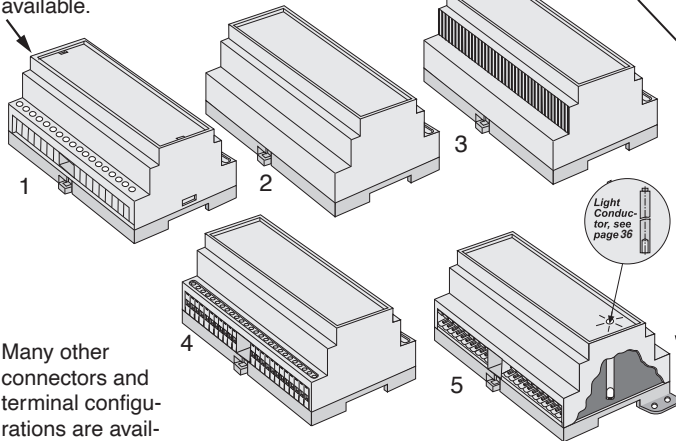
12 MODULE ENCLOSURES FOR M36 DIN-RAIL

**SERIES
2100**

Version with knock out blanks for individual configuration available.

Possibility for ventilation

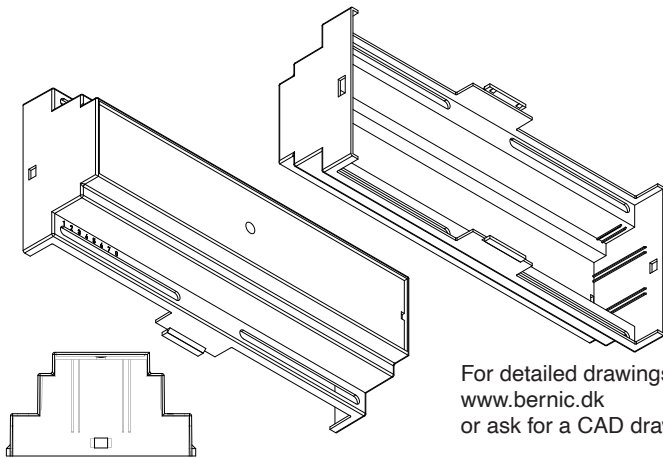
Wall mounting feet available.



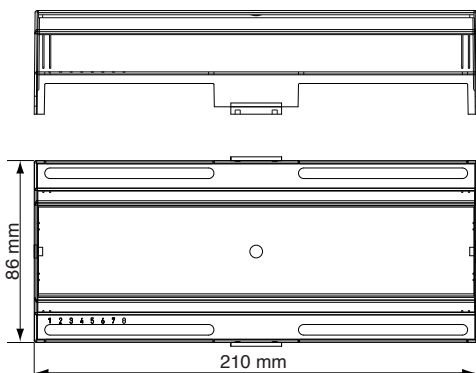
Many other connectors and terminal configurations are available upon request.

Options:

- open version for bigger terminals,
- no terminal numbers.
- red, grey or infra-red lid.
- click in frontpanel.
- hinged lid.
- not all versions are available for all sizes.



For detailed drawings please see www.bernic.dk or ask for a CAD drawing



Module enclosure for M36 DIN-rail. Series 2100 is, if requested, available in several colours and with custom made holes in the front.

Lid, PCB, customized label and packing is available. Possibility for both base and top PCB. A closed version without terminals is also available.

Trimmers and spindles that fit the height of the box are available.

TECHNICAL DATA:

TOP PART:

Material: Lexan 940
Colour: Grey (RAL 7035)
Max. temperature: 100°C
Width: 210 mm
(12 modules)

Label measurement: 41.9 x 205.9 mm
Self-extinguishing: Acc. to UL94-V0
IP Protection: IP 20

BASE PART:

Material: Noryl VO 1550
Colour: Black (RAL 9005)
Max. temperature: 100°C
Max. wire dia.: 2 x 2.5 mm²
Max. load: 10A (for higher load please enquire)

Terminals: 74 fixed or pluggable
Mounting: DIN-rail (EN50022)
Self-extinguishing: Acc. to UL94-V0

TYPE 2100:	ORDER CODE
Complete, 257 for pluggable	p/n 4969012101
Complete, 605 for fixed terminals	p/n 4969012102
Complete, closed, no terminals	p/n 4969012100
Top part, grey, 605/250, fixed terminals	p/n 4969002102
Top part, grey, 257, pluggable	p/n 4969002101
Top part, grey, closed, no terminals	p/n 4969002100
Base part with clip and 2 screws	p/n 8842210201
DIN-rail for 2100	p/n 0669000604
Transparent lid for 2100	p/n 4969001210
Packing for 2100	p/n 2068210000
Raw PCB for 2100	p/n 4999210003
Screw/self tapping 2 pcs.	p/n 7005102965

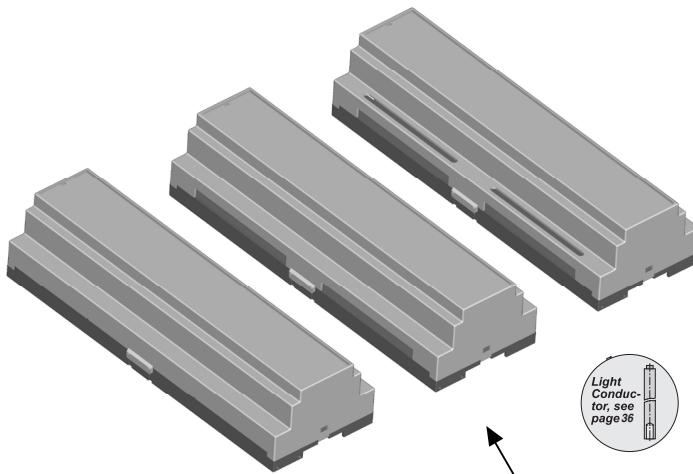
Many more p/n available - please enquire.

● All measurements are in mm

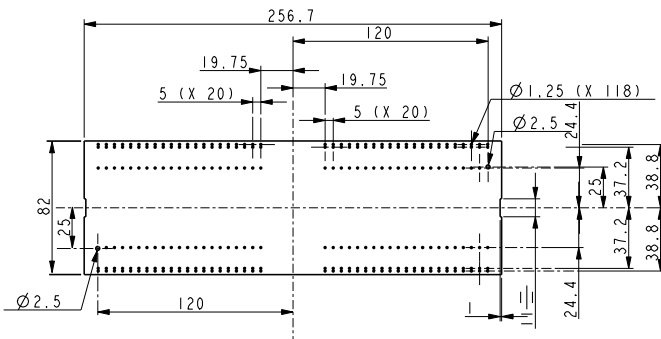
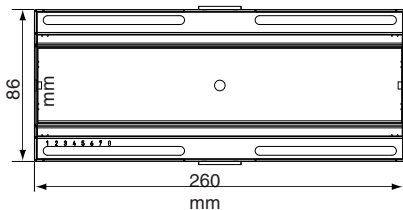
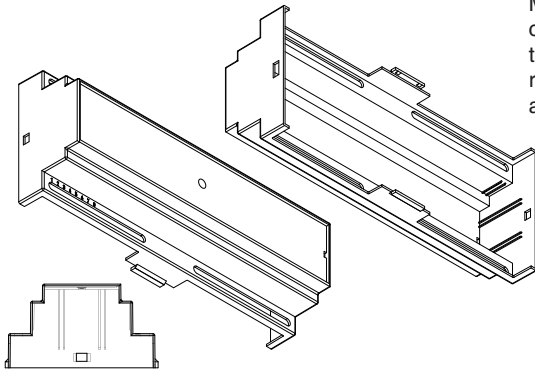
●● Please note that most pluggable terminals are in 5,08 pitch and need a bigger hole in the PCB

15 MODULE ENCLOSURES FOR M36 DIN-RAIL

**SERIES
2600**



Many other connectors and terminal configurations are available upon request.



For detailed drawings please see www.bernic.dk or ask for a CAD drawing

Module enclosure for M36 DIN-rail.

Series 2600 is, if requested, available in several colours and with custom made holes in the front.

Lid, PCB, customized label and packing is available. Possibility for both base and top PCB. A closed version without terminals is also available.

Trimmers and spindles that fit the height of the box are available.

TECHNICAL DATA:

TOP PART:

Material: Lexan 945
Colour: Grey (RAL 7035) 100°C
Max. temperature: 260 mm
Width: (15 modules)

label measurement: 41.6 x 257.7
Self-extinguishing: Acc. to UL94-V0
IP Protection: IP 20

BASE PART:

Material: Noryl VO 1550
Colour: Black (RAL 9005)
Max. temperature: 100°C
Max. wire dia.: 2 x 2.5 mm²
Max. load: 10A (for higher load please enquire)

Terminals: 88 fixed or plugable
Mounting: DIN-rail (EN50022)
Self-extinguishing: Acc. to UL94-V0

TYPE 2600:	ORDER CODE
Complete, 257 for plugable	p/n 4969012601
Complete, 605 for fixed terminals	p/n 4969012602
Complete, closed, no terminals	p/n 4969012600
Top part, grey, 605/250, fixed terminals	p/n 8842552602
Top part, grey, 257, plugable	p/n 8842552601
Top part, grey, closed, no terminals	p/n 8842552665
Base part with clip and 2 screws	p/n 8842212665
DIN-rail clip for 2600	p/n 0669000604
Screw/self tapping 2 pcs.	p/n 7006102965

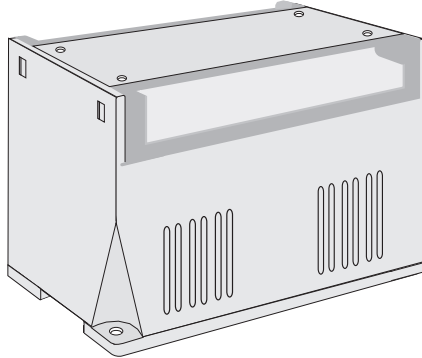
Many more p/n available - please enquire.

- All measurements are in mm
- Please note that most plugable terminals are in 5,08 pitch and need a bigger hole in the PCB

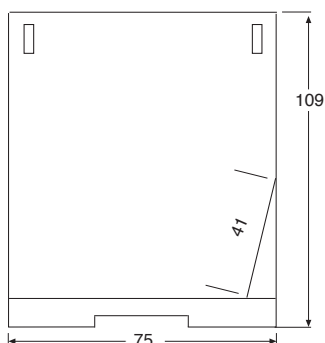
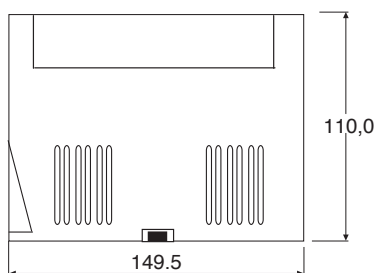
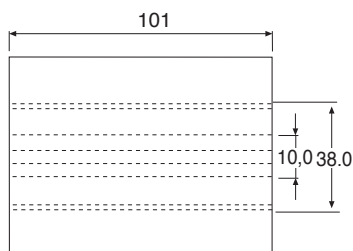
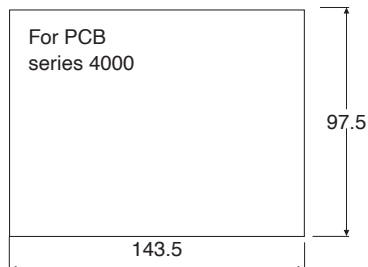
DIN-RAIL MOUNTED ENCLOSURE

**SERIES
REX
4000**

Many other connectors and terminal configurations are available upon request



PCB DIMENSIONS:



A standard pluggable terminal (like Phoenix or any other connector) is mounted with the other components to the PCB. The side parts and front are screwed to the PCB and slid into the box. The unit is ready. The wire part is then just plugged in.

Modular enclosure for M36 DIN-rail. Series REX 4000 is designed for automations equipment and can be used with pluggable terminals, D-sub or other kind of connectors in the front. Holes in the front and sides are available according to customers wishes.

TECHNICAL DATA:

SIDE PARTS:

Material: Lexan 940
 Colour: Grey (RAL 7035)
 Max. temperature: 100°C
 Terminals: upto 2 x 23 pluggable or D-sub
 Width: 149 mm.
 Self-extinguishing: Acc. to UL94-V0

BASE PART:

Material: Lexan 940
 Colour: Grey (RAL 7035)
 Max. temperature: 100°C
 Mounting: DIN-rail (EN50022)
 Self-extinguishing: Acc. to UL94-V0

Advantages:

Easy and quick/low cost assembly of the unit. No wires need to be soldered etc. Easy test of the unit. You take only the number of terminals you need - lower cost and no mismatch of the wire/installation possible. The connectors are world wide available from multiple sources.

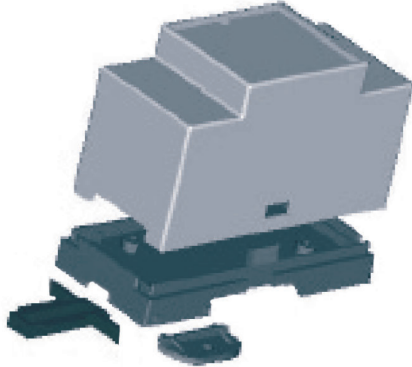
TYPE REX 4000:	ORDER CODE:
Complete	p/n 4969014000
Front, grey incl. 4 screws	p/n 4969014001
Base part grey with DIN-rail clip	p/n 4969014003
Terminal type 257/9, HO/A, PCB part	p/n 1155708590
Terminal type 256/9, wire part	p/n 1155608090
Side part 2 holes for 2 x 9 pole terminals	p/n 4969014007
Side part 1 hole/all open for up to 22 pole terminals	p/n 4969014006

● All measurements are in mm.

2 MODULE ENCLOSURES

High Cube for extended volume

Series
M2



Module enclosure High Cube for extended volume for M36 Din-rail. Series High Cube is designed to give more room for special connectors and larger components and if requested with custom made holes for connectors and terminals.

Lid, PCB, customized label and packing is available. Possibility for both base and top PCB. A closed version without terminals is also available.

Trimmers and spindles that fit the height of the box are available.

TECNICAL DATA:

TOP PART:

Material: Lexan 940
 Colour: Grey (RAL 7035)
 Max. Temperature: 100°C
 Width: 35 mm (2 modules)
 Label measurement: 41.0 x 30.0 mm
 Self-extinguishing: Acc. to UL94-V0
 IP Protection: IP 20

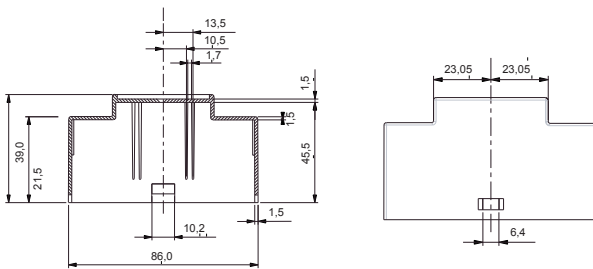
BASE PART:

Material: Noryl VO 1550 Black (RAL 9005)
 Colour: Noryl VO 1550 Black (RAL 9005)
 Max. temperature: 100°C
 Max. load: 10A (for higher load please enquire)
 Terminals: 10 fixed or plugable
 Mounting: DIN-rail (EN50022)
 Self-extinguishing: Acc. to UL94-V0

Options:

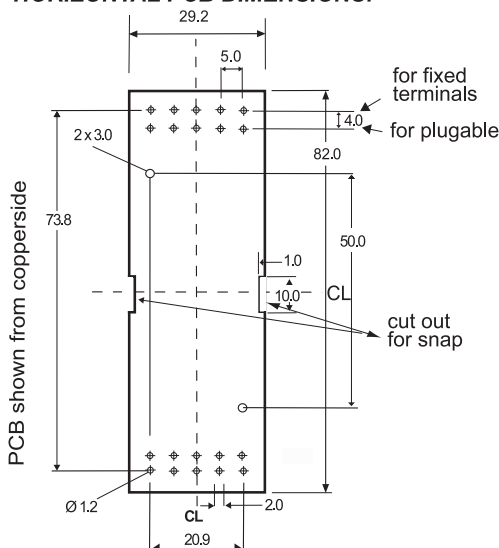
- open version for bigger terminals,
- no terminal numbers.
- not all versions are available for all sizes.

Many other connectors and terminal configurations are available upon request



For detailed drawings please see www.bernic.dk or ask for a CAD drawing.

HORIZONTAL PCB DIMENSIONS:



● All measurements are in mm.

●● Please note that most plugable terminals are in 5,08 pitch and need a bigger hole in the PCB

TYPE High/High extended volume	ORDER CODE:
Complete, 257 for plugable	p/n 4979371051
Complete, Power terminals	p/n 4979371052
Complete, closed, no terminals	p/n 4979371050
Top part, 257, plugable	p/n 4977351051
Top part, Power terminals	p/n 4977351052
Top part grey, closed, no terminals	p/n 4977351050
Base part with clip and 2 screws	p/n 4969021051
Transparent lid for 1050	p/n 4969011050
Packing for 1050	p/n 2068105000
PCB for 1050	p/n 4999001050
Terminal for 1050, 257/18, HO/A, PCB part	p/n 1155718580
Terminal for 1050, 256/18, wire part	p/n 1155618080
Terminal for 1050, Power terminals	p/n 3950141808
Screw/selfcutting 2 pcs.	p/n 7006102965

Many more p/n available - please enquire.

"Intelligent designs for high productivity"

2 MODULE ENCLOSURE LIGHT

FOR M36 DIN-RAIL LOW COST

SERIES
M2

TECHNICAL DATA:

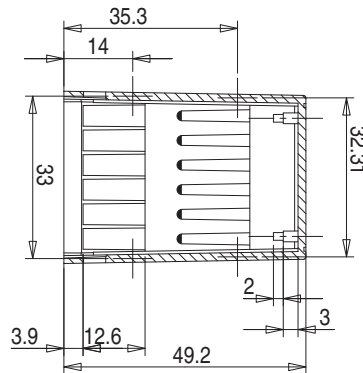
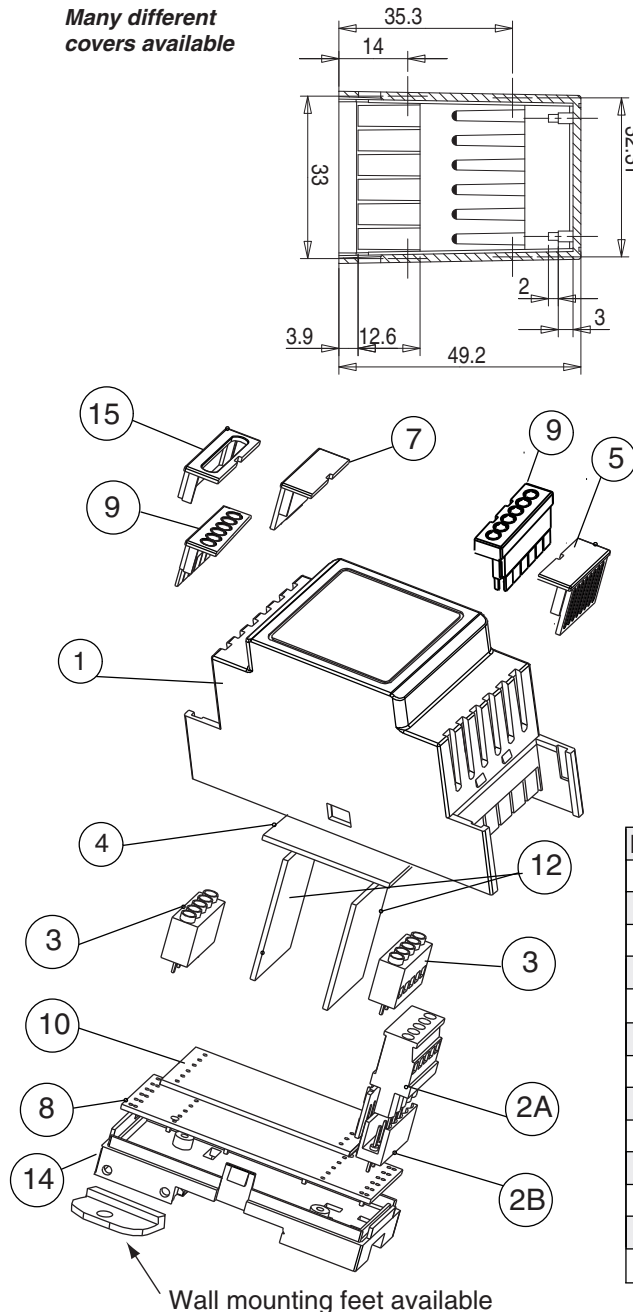
TOP PART:

Material: ABS (other on request)
 Colour: Grey (RAL 7035) other on request
 Max.temperature: 75° C
 Width: 35.0 mm (2 modules)

BASE PART:

Material: ABS (other on request)
 Colour: Black (RAL 9005) other on request
 Max.temperature: 75° C
 Terminals: Up to 12 fixed or (2x6) plugable
 Mounting: DIN-rail (EN50022)

Many different covers available



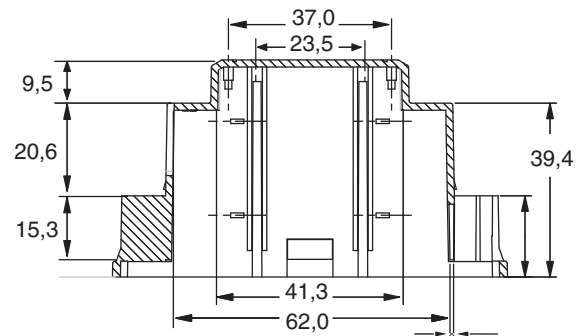
M2 Light, low cost 2 module enclosure.

With the optional terminal covers you get a simple and low cost two pcs enclosure, or you can use the optional covers which gives you the flexibility to build your own DIN-rail enclosures.

The possibility of mixing covers with different openings for connectors gives not only a very wide range of options, but also a very good price.

Due to the design of the covers, it is possible to add a wide range of different features to the enclosure. Interconnections in the form of pin headers and distance pcs/spacers from board level to board level are available.

Options: Printed numbers and symbols on the cover and colour coded covers. Series M2 is, if requested, available with customer specified holes in front. Prototype PCB, customized label and packing are available.



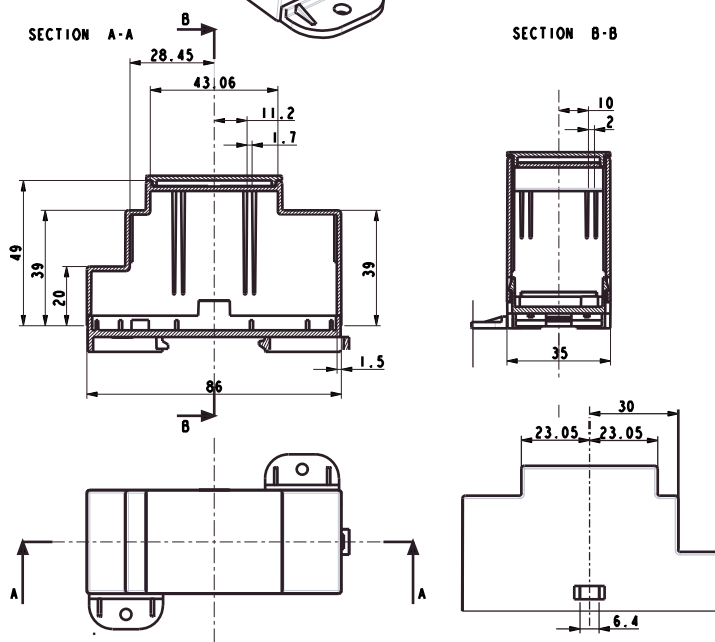
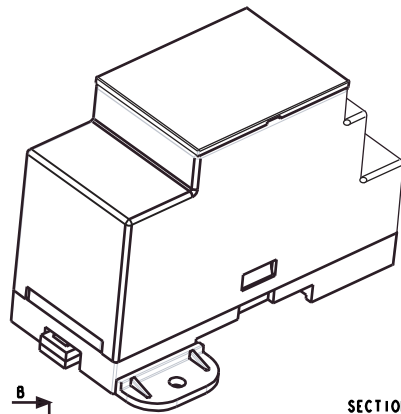
The codes are only an option, you do not necessarily need them all.

Pos.	Description Type M2 Light	Part number
1	Top part, label area 35 x 35	p/n 6069002101
2A	Plugable terminal 6 way, horizontal	p/n 3955606780
2B	Plugable terminal 6 way, horizontal	p/n 3955706380
3	Fixed terminal 6 way	p/n 3950146108
4	Top PCB for type M2	p/n 4999350002
5	Cover ventilated	p/n 8845350401
7	Cover closed	p/n 8845350101
8	Base PCB for type M2	p/n 4999350005
9	Lower cover, knock out	p/n 8845350501
12	Short side PCB	p/n 4999350001
14	Base part type M2 with clip + 2 screws	p/n 4969002351
15	Low cover with oval hole	p/n 8845350201
16	Complete M2 (top+base)	p/n 6069102301

2 MODULE ENCLOSURES

350 High/Low

SERIES
M2



2-Module enclosure for M36 Din-rail. Series High-Low is designed to give more room for special connectors and larger components and if requested with custom made holes for connectors and terminals. Lid, PCB, customized label and packing is available. Possibility for both base and top PCB. A closed version without terminals is also available. Trimmers and spindles that fit the height of the box are available.

TECHNICAL DATA:

TOP PART:

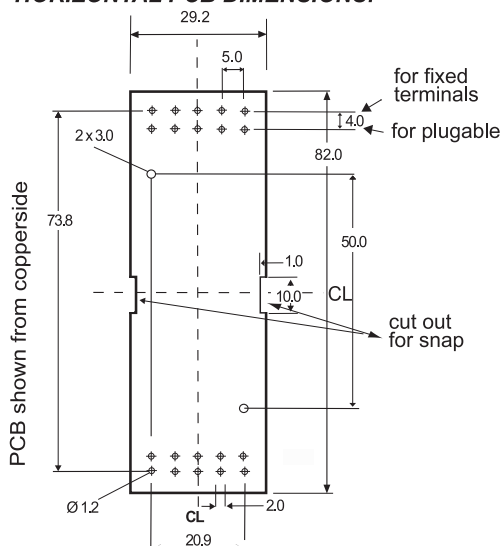
Material: Lexan 940
 Colour: Grey (RAL 7035)
 Max. temperature: 100°C
 Width: 35.0 mm
 (2 modules)
 Label measure: 41.0 x 30.0 mm
 Self-extinguishing: Acc. to UL94-V0
 IP Protection: IP 20

BASE PART:

Material: Noryl VO 1550
 Colour: Black (RAL 7005)
 Max. temperature: 100°C
 Max. wire dia.: 2 x 2.5 mm²
 Max. load: 16A (for higher load please enquire)
 Terminals: 10 fixed or pluggable
 Mounting: DIN-rail (EN50022)
 Self-extinguishing: Acc. to UL94-V0

For detailed drawings please see www.bernic.dk or ask for a CAD drawing

HORIZONTAL PCB DIMENSIONS:



- All measurements are in mm.
- Please note that most pluggable terminals are in 5,08 pitch and need a bigger hole in the PCB

TYPE High/low M2	ORDER CODE:
Complete, 257 for pluggable	p/n 4979340351
Complete, 605 for fixed terminals	p/n 4979340352
Complete, closed, no terminals	p/n 4979340350
Top part, 257, pluggable	p/n 4979334351
Top part, 605 / 250 fixed terminals	p/n 4979330352
Top part, grey, closed, no terminals	p/n 4979330350
Base part with clip and 2 screws	p/n 4979332351
DIN-rail clip for 350	p/n 0669000605
Terminal for 350, 257/5, HO/A, PCB part	p/n 1155705580
Terminal for 350, 256/5, wire part	p/n 1155605080
Terminal for 350, 605/5, fixed terminals	p/n 3950145108
Packing for 350	p/n 2068350002
Raw PCB for 350	p/n 4999000350
Screw/selfcutting 2 pcs.	p/n 7006102965

Many more p/n available - please enquire.

"Intelligent designs for high productivity"

4 MODULE ENCLOSURE LIGHT

FOR M36 DIN-RAIL LOW COST

SERIES
M4

TECHNICAL DATA:

TOP PART:

Material: PC
 Colour: Grey (RAL 7035) other on request
 Max.temperature: 100°C
 Width: 70.0 mm
 (4 modules)

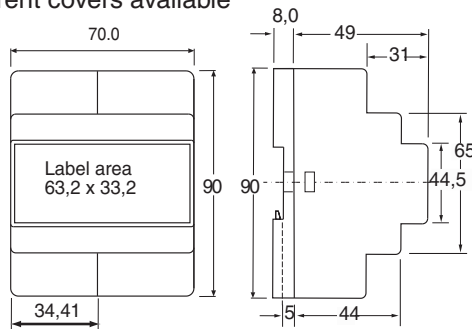
BASE PART:

Material: Noryl
 Colour: Black (RAL 9005) other on request
 Max.temperature: 100°C
 Terminals: Up to 12 fixed or
 (2x6) plugable
 Mounting: DIN-rail (EN50022)

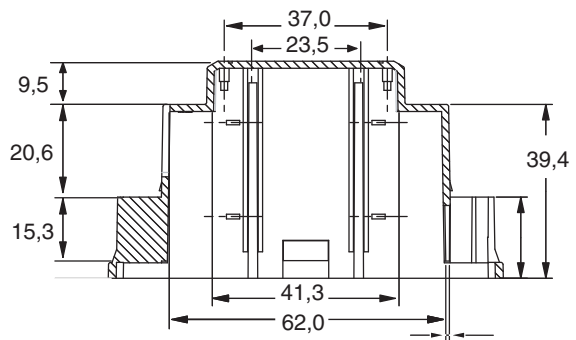
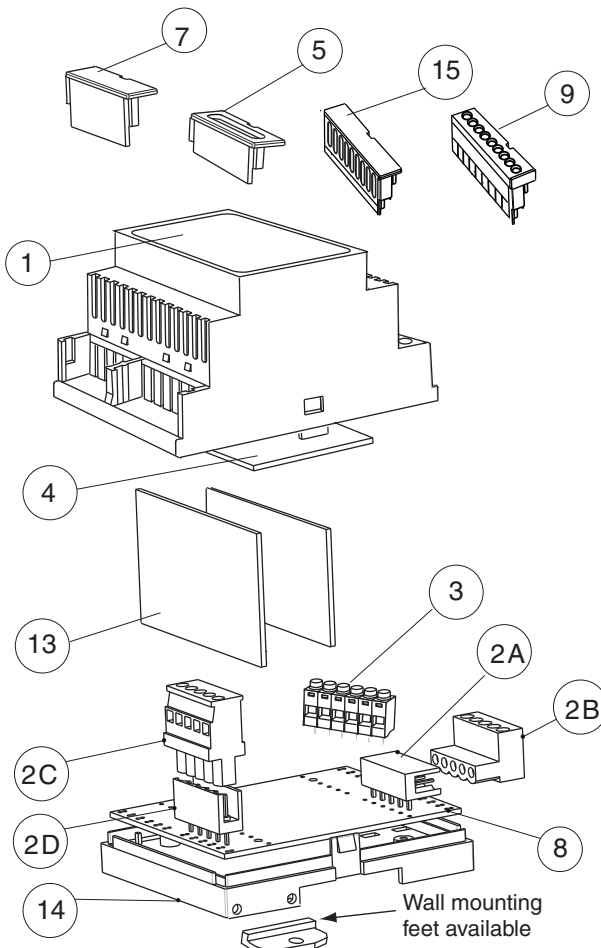
Light lowcost 4 modules enclosure.
 With the optional terminal covers you can have a simple and low cost two pcs enclosure or you can use the optional covers to enable you the flexibility to build your own DIN-rail enclosures.

The possibility of mixing covers with different openings for connectors gives not only very wide options of connections, but also a very good price.
 Due to designed covers it is possible to add different and individual features to the design.

Many different covers available



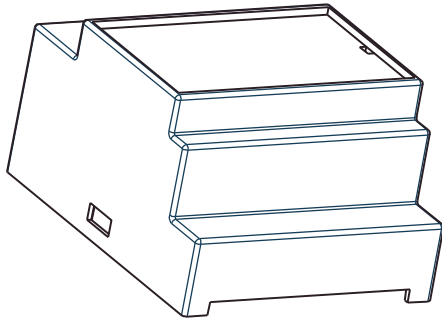
Interconnections in form of pin headers and distance pcs/spacers from board level to board level are available.
 Options: Printed numbers and symbols on the cover and colour coded covers. Series M4 is, if requested, available with customer specified holes in front. Prototype PCB, customized label and packing are available.



Pos.	Description Type M4 Light	Partnumber
1	Top part,label area 63,2 x 33,2	p/n
2 A	Plugable terminal 6 way, horizontal	p/n 1155706580
2 B	Plugable terminal 6 way, horizontal	p/n 1155606080
2 C	Plugable terminal 6 way, vertical	p/n 3955066780
2 D	Plugable terminal 6 way, vertical	p/n 1155706380
3	Fixed terminal 6 way	p/n 3950140608
4	Top PCB for type M4	p/n 4999000370
5	Cover ventilated	p/n 8845350401
7	Cover, closed	p/n 8845350101
8	Base PCB for type M4	p/n 4999000700
9	Lower cover, knock out	p/n 8845350501
13	Short side PCB	p/n 4999000470
14	Base part type M4 with clip + 2 screws	p/n 4969002701
15	Low cover with oval hole	p/n 8845350201
16	Kompleat M4 (top+base)	p/n 6069104301

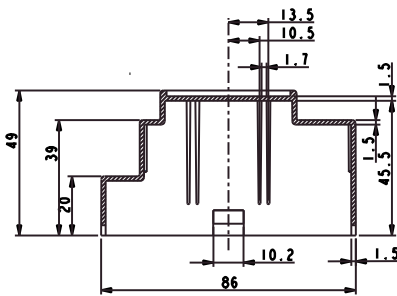
4 MODULE ENCLOSURES 700 High/Low

SERIES M4

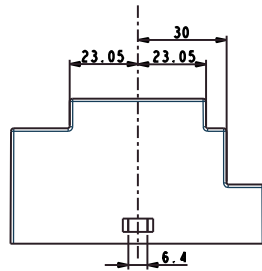
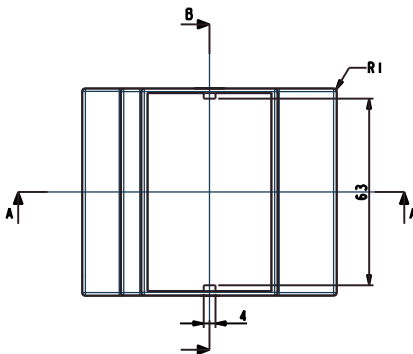
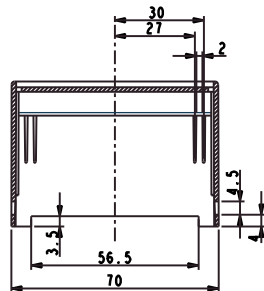


Module enclosure for M36 Din-rail. Series High-Low is, if requested with custom made holes for connectors and terminals.
Lid, PCB, customized label and packing is available. Possibility for both base and top PCB. Aclosed version without terminals is also available.
Trimmers and spindles that fit the height of the box are available.

SECTION A-A



SECTION B-B



TECHNICAL DATA:

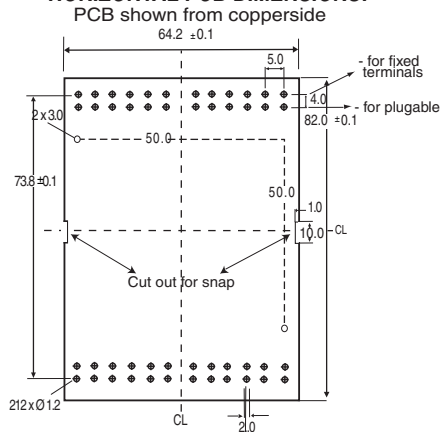
TOP PART:

Material: Lexan 940
Colour: Grey (RAL 7035)
Max. temperature: 100°C
Width: 70 mm
(4 modules)
Label measurement: 41.0 x 66.0 mm
Self-extinguishing: Acc. to UL94-V0
IP Protection: IP 20

BASE PART:

Material: Noryl VO 1550
Colour: Black (RAL 9005)
Max. temperature: 100°C
Max. load: 16 A (for higher load please enquire)
Terminals: 24 fixed or plugable
Mounting: DIN-rail (EN50022)
Self-extinguishing: Acc. to UL94-V0

HORIZONTAL PCB DIMENSIONS:



TYPE 700 High/low M4:	ORDER CODE
Complete, 257 for plugable	p/n 4979340702
Complete, 605 for fixed terminals	p/n 4979340701
Complete, closed, no terminals	p/n 4979340700
Top part, 257, plugable	p/n 4979330702
Top part, 605 / 250 fixed terminals	p/n 4979330701
Top part, grey, closed, no terminals	p/n 4979330700
Base part with clip and 2 screws	p/n 4969002701
DIN-rail clip for 700	p/n 0669000604
Transparent lid for 700	p/n 4969001700
Packing for 700	p/n 2068700001
Raw PCB for 700	p/n 4999000700
Terminal for 700, 257/12, HO/A, PCB part	p/n 1155712580
Terminal for 700, 256/12, wire part	p/n 1155612080
Terminal for 700, 605/12, fixed terminals	p/n 3950141208
Screw/selfcutting 2 pcs.	p/n 7006102965

- All measurements are in mm.
- Please note that most plugable terminals are in 5,08 pitch and need a bigger hole in the PCB

"Intelligent designs for high productivity"

6 MODULE ENCLOSURE LOW PROFILE FOR M36 DIN-RAIL LIGHT LOW

**SERIES
M6**

TECHNICAL DATA:

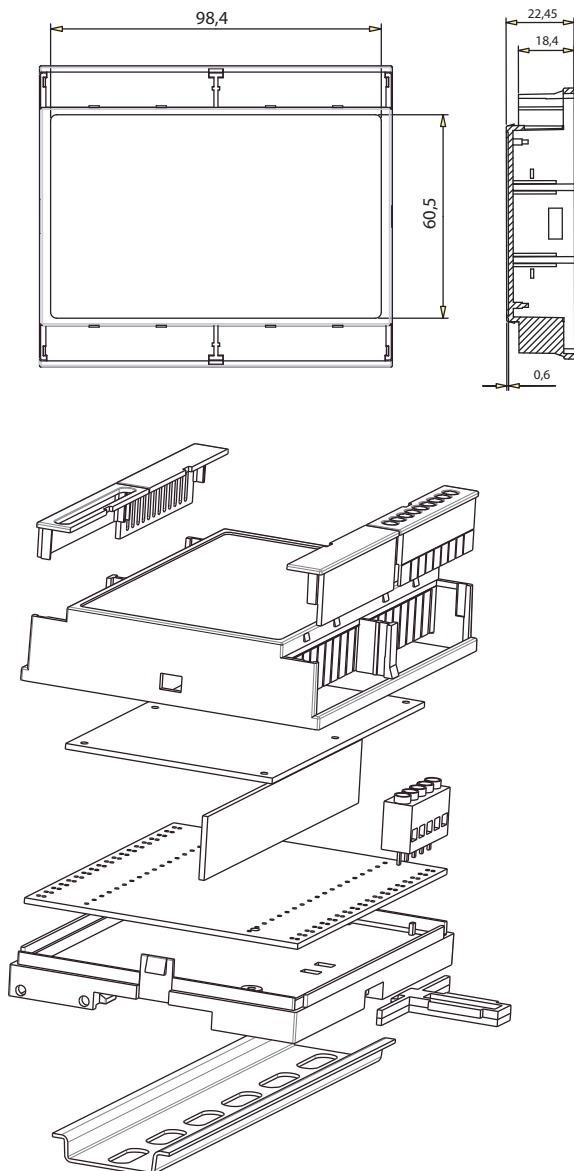
TOP PART:

Material: Lexan 940
 Colour: Grey (RAL 7035) other on request
 Max.temperature: 100° C
 Width: 105 mm
 (6 modules)
 Label area 98,2 x 60,3

BASE PART:

Material: Noryl VO 1550
 Colour: Black (RAL 9005) other on request
 Max.temperature 100° C
 Terminals: Up to 36 fixed or
 (2x6) plugable
 Mounting: DIN-rail (EN50022)

Many different covers available



Light Low profile 6 modules enclosure.

With the optional terminal covers you can have a simple and low cost two pcs enclosure or you can use the optional covers to enable you the flexibility to build your customized DIN-rail enclosures.

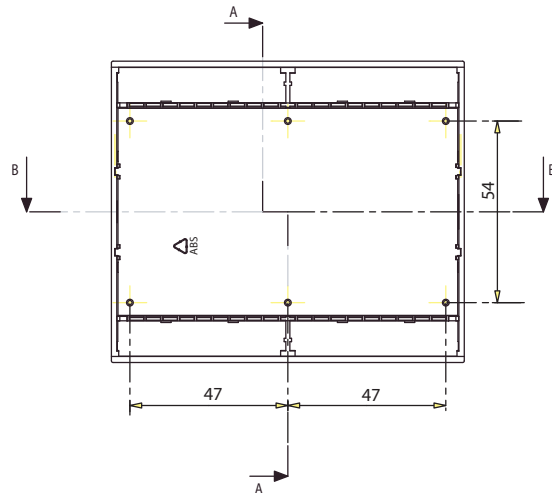
The possibility of mixing covers with different openings for connectors gives not only very wide options of connections, but also a very good price.

Due to designed covers it is possible to add different and individual features to the design. Interconnections in form of pin headers and distance pcs/spacers from board level to board level are available.

Options: Printed numbers and symbols on the cover and colour coded covers.

Series M6 is, if requested, available with customer specified holes in front.

Prototype PCB, customized label and packing are available.

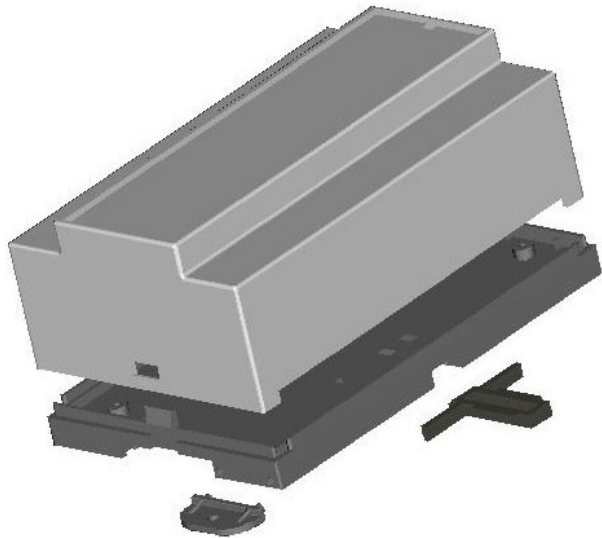


Description Type M6 Light Low	Partnumber
Top part	p/n 7069006101
Plugable terminal 9 way, horizontal	p/n 3955606780
Plugable terminal 9 way, horizontal	p/n 3955706380
Fixed terminal 9 way	p/n 3950146108
Cover ventilated	p/n 8845350401
Cover closed	p/n 8845525101
Lower Cover, knock out	p/n 8845525501
Base part type M6 with clip + 2 screws	p/n 4969021051
Low cover with oval hole	p/n 8845525601
Kompleat M6 (top+base)	p/n 6169106101

9 MODULE ENCLOSURES

High Cube for extended volume

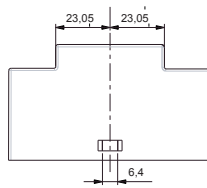
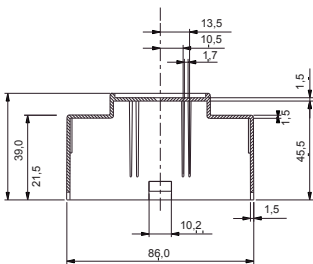
Series
M9



Options:

- open version for bigger terminals,
- no terminal numbers.
- not all versions are available for all sizes.

Many other connectors and terminal configurations are available upon request



For detailed drawings please see www.bernic.dk or ask for a CAD drawing.

Module enclosure High Cube for extended volume for M36 Din-rail. Series High Cube is designed to give more room for special connectors and larger components and if requested with custom made holes for connectors and terminals.

Lid, PCB, customized label and packing is available. Possibility for both base and top PCB. A closed version without terminals is also available.

Trimmers and spindles that fit the height of the box are available.

TECNICAL DATA:

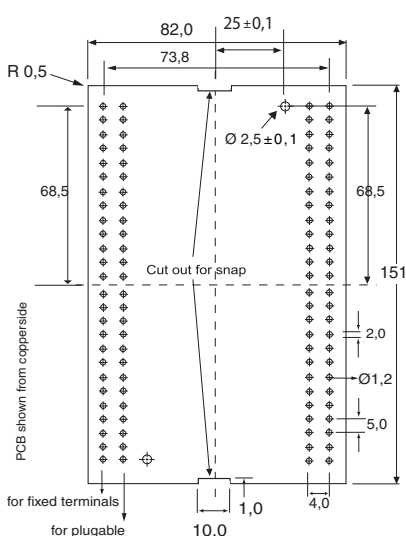
TOP PART:

Material: Lexan 940
 Colour: Grey (RAL 7035)
 Max. Temperature: 100°C
 Width: 157 mm(9 modules)
 Label measurement: 41.0 x 152.0 mm
 Self-extinguishing: Acc. to UL94-V0
 IP Protection: IP 20

BASE PART:

Material: Noryl VO 1550 Black (RAL 9005)
 Colour: Noryl VO 1550 Black (RAL 9005)
 Max. temperature: 100°C
 Max. load: 10A (for higher load please enquire)
 Terminals: 52 fixed or pluggable
 Mounting: DIN-rail (EN50022)
 Self-extinguishing: Acc. to UL94-V0

HORIZONTAL PCB DIMENSIONS:



TYPE High/High extended volume	ORDER CODE:
Complete, 257 for pluggable	p/n 4979371571
Complete, Power terminals	p/n 4979371572
Complete, closed, no terminals	p/n 4979351570
Top part, 257, pluggable	p/n 4977351571
Top part, Power terminals	p/n 4977351572
Top part grey, closed, no terminals	p/n 4977351570
Base part with clip and 2 screws	p/n 4969021570
Transparent lid for 1570	p/n 4969011570
Packing for 1570	p/n 2068157000
PCB for 1570	p/n 4999001570
Terminal for 1570, 257/13, HO/A, PCB part	p/n 1155713580
Terminal for 1570, 256/13, wire part	p/n 1155613080
Terminal for 1570, 605/13, fixed terminals	p/n 3950141308
Screw/selfcutting 2 pcs.	p/n 7006102965

Many more p/n available - please enquire.

- All measurements are in mm.
- Please note that most pluggable terminals are in 5,08 pitch and need a bigger hole in the PCB

"Intelligent designs for high productivity"

9 MODULE ENCLOSURE LOW PROFILE FOR M36 DIN-RAIL LIGHT LOW

SERIES M9

TECHNICAL DATA:

TOP PART:

Material: Lexan 940
 Colour: Grey (RAL 7035) other on request
 Max.temperature: 100° C
 Width: 157 mm
 (9 modules)

BASE PART:

Material: Noryl VO 1550
 Colour: Black (RAL 9005) other on request
 Terminals: 100° C
 Up to 54 fixed or
 (2x6) plugable
 Mounting: DIN-rail (EN50022)
 Many different covers available

Light Low profile 9 modules enclosure.

With the optional terminal covers you can have a simple and low cost two part enclosure or you can use the optional covers to enable you the flexibility to build your own DIN-rail enclosures.

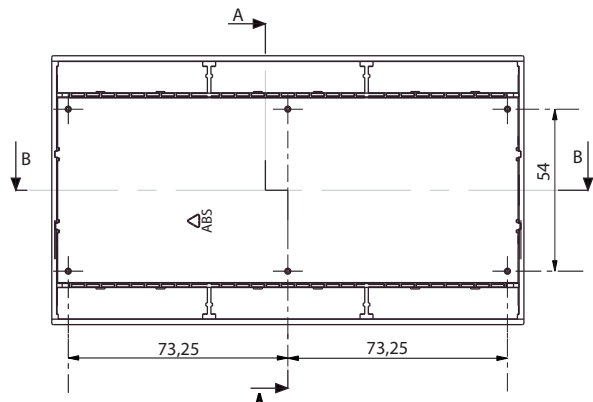
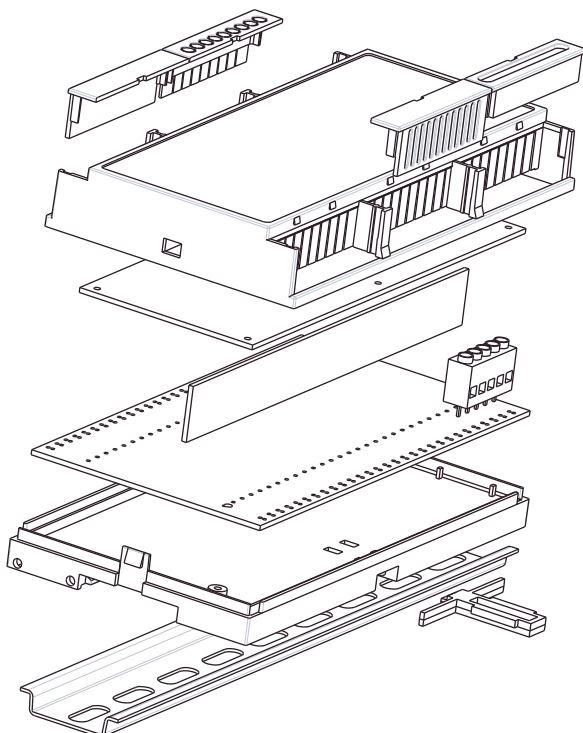
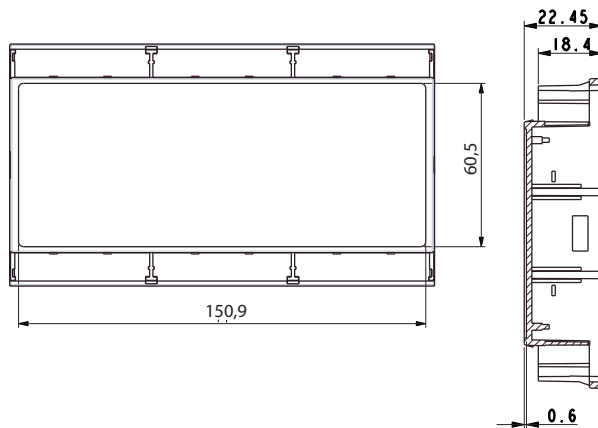
The possibility of mixing covers with different openings for connectors gives not only very wide options of connections, but also a very good price.

Due to designed covers it is possible to add different and individual features to the design.

Interconnections in form of pin headers and distance pcs/spacers from board level to board level are available.

Options: Printed numbers and symbols on the cover and colour coded covers. Series M9 is, if requested, available with customer specified holes in front.

Prototype PCB, customized label and packing are available.

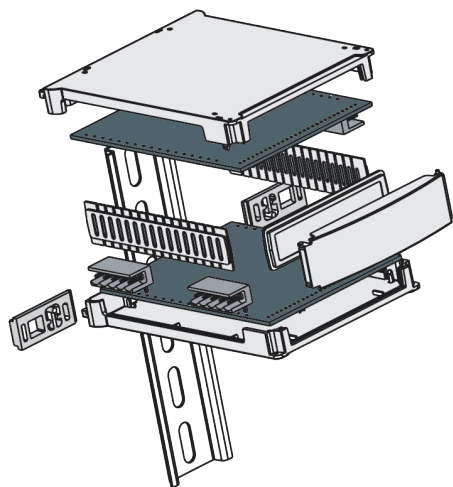
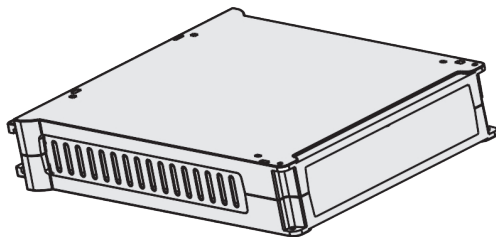


Type M9 Light Low	Partnumber
Complete M9 (top+base)	p/n 6169109101
Plugable terminal 6 way, horizontal	p/n 1155706580
Plugable terminal 6 way, horizontal	p/n 1155706380
Plugable terminal 6 way, vertical	p/n 3955706380
Plugable terminal 6 way, vertical	p/n 1155606780
Fixed terminal 6 way	p/n 3950140608
Top PCB for type M9	p/n 4999000370
Cover ventilated	p/n 8845700401
Low cover with oval hole	p/n 8845700201
Cover, closed	p/n 8845700101
Base PCB for type M9	p/n 4999000700
Lower cover, knock out	p/n 8845700501
Short side PCB	p/n 4999000470
Base part type M9 with clip + 2 screws	p/n 4969021571
Top part,label area 150,7 x 60,3	p/n 7069009101

The codes are only an option, you do not necessarily need them all.

CONTROL BOX

M22



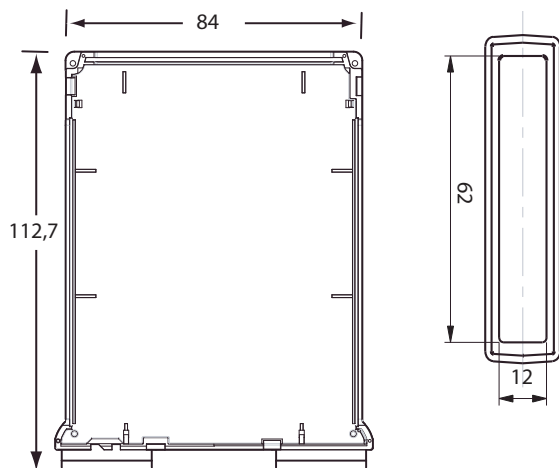
CONTROL BOX Series M22.
Control box for measurement and control devices. Industrial standard size PCB exchangeable with other enclosures on the market. Many side panel configurations available. Hinged transparent cover available.

A closed version without terminals is also available. Trimmers and spindles that fit the height of the box are available. Many other connectors and terminal configurations are available upon request.

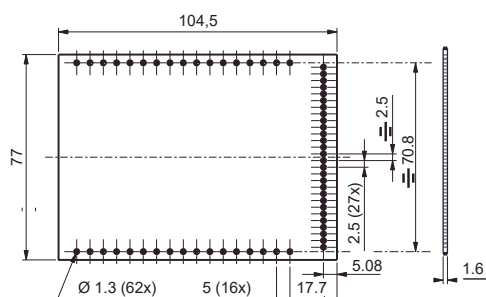
TECHNICAL DATA

TOP PART:

Material:	Lexan 940
Colour:	Grey (RAL 7035)
Max temperature:	100°C
Width:	22.5 mm (1½ modules)
Label measurement:	61.8 x 11.8 mm
Self-extinguishing:	Acc. to UL94-V0
IP protection:	IP 20
Max. wire dia.:	2 x 2.5 mm ²
Max. load:	16A (for higher load please enquire)
Terminals:	2x16 fixed or plugable
Mounting:	DIN-rail (EN50022)



Front Panel
(label size: 61,8 x 11,8 mm)

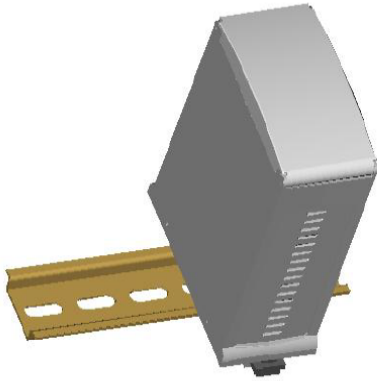


TYPE M22:	ORDER CODE:
Complete M22	p/n 3345002250
DIN-rail clip for M22	p/n 0669000604
Transparent lid for M22	p/n 3345022255
Terminal 257/12 HO/A, PCB part	p/n 1155712580
Terminal 256/12, wire part	p/n 1155612080
Terminal 605/12, fixed terminals	p/n 3950141208
Screw/self-cutting 2 pcs.	p/n 7006102965

Many more p/n available - please enquire.

DIN BOX

M45

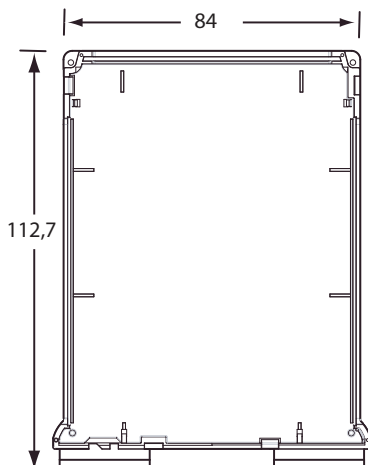
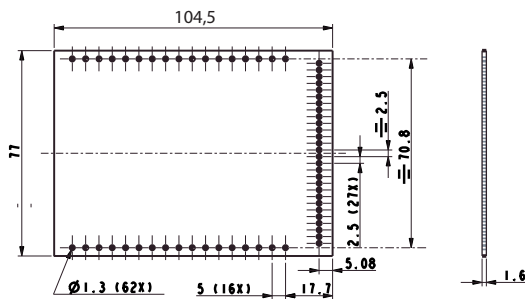
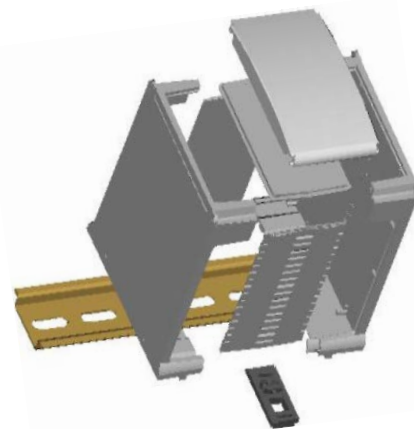


Module enclosure for M45 DIN-rail. DIN BOX Series M45 is, if requested, available in several colours and with customer specified holes in the front. Lid, PCB, Customized label and packing is available. Possibility for both base and top PCB. A closed version without terminals is also available. Trimmers and spindles that fit the height of the box are available.

Many other connectors and terminal configurations are available upon request.

Options:

- open version for bigger terminals
- no terminal numbers.
- red, grey or infra-red lid.
- click in frontpanel.
- hinged lid.
- not all versions are available for all sizes.



TOP PART:

Material: Lexan 940
 Colour: Grey (RAL 7035)
 Max. temperature: 100° C
 Width: 45 mm
 (2½ modules)
 Self-extinguishing: Acc. to UL94-V0
 IP Protection: IP 20

Max. wire dia: 2 x 2,5 mm²
 Max. load: 16A (for higher load please enquire)
 Terminals: 4x16 fixed or plugable
 Mounting: DIN-rail (EN50022)

TYPE M 45:	ORDER CODE:
Complete M 45	p/n 4577010000
DIN-rail clip for M 45	p/n 0669000604
Transparent lid for M 45	p/n 4577020002
Terminal 257/12, HO/A, PCB part	p/n 1155712580
Terminal 256/12, wire part	p/n 1155612080
Terminal 605/12, fixed terminals	p/n 3950141208
Screw/selfcutting 2 pcs.	p/n 7006102965

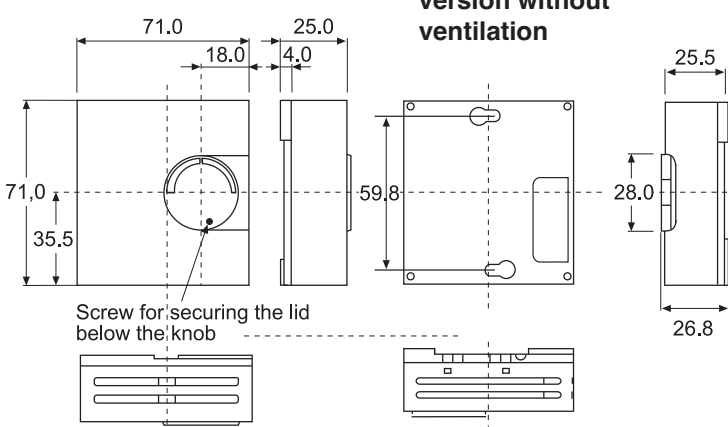
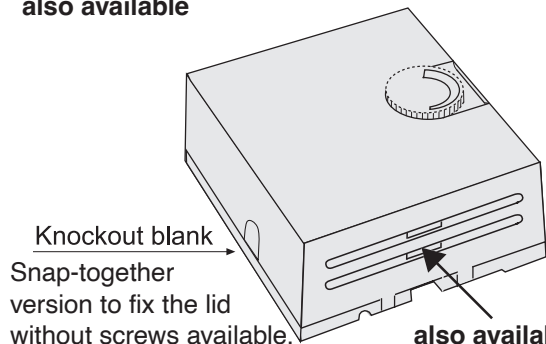
Many more p/n available - please enquire.

WALLMOUNTING ENCLOSURES

ENCLOSURE WITH KNOB

SERIES 300

NEW designed version with concave front also available



Enclosure with knob, for wallmounting, suitable for room thermostats etc. The knob fits among others trimmer P/N. PCH215/30 from AB Elektronik GmbH. Standard colour is white/white but other colours can be supplied upon request.

PCB and packing are available.

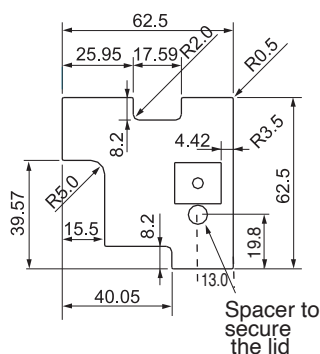
Top part is limited to 180° mechanical travel of the knob

TECHNICAL DATA:

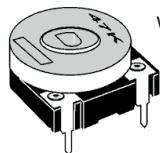
Top part: Cycoloy C 2800
 Base part: Cycoloy C 2800
 Colour: White/white (RAL9010/RAL9010)
 Temperature range: -30 - +100°C
 Self-extinguishing: Acc. to UL94-V0
 Knob: Cycoloy 2800

Base part with battery holder for 2 pcs AAA-batteries available.

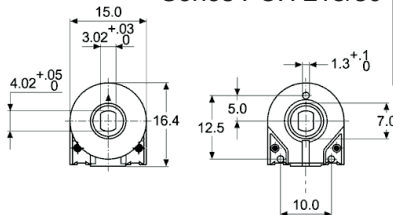
PCB DIMENSIONS:



Possibility for integrated battery holder for wireless applications.

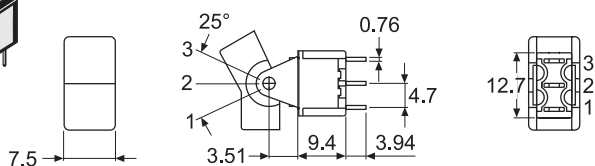


Trimmer Series PCH 215/30



TYPE 300	ORDER CODE:
Complete: Top + base	p/n 0669000303
Knob without print	p/n 0669001603
PCH 215/30 10k trimmer	p/n 0207220103
Packing	p/n 2068300004
Knob with black dot	p/n 0669081603
Raw PCB	p/n 4999000300
Knob with grey print	p/n 0669080603
Knob with red print	p/n 0669020603
Light conductor	p/n 4972001258
Push button switch	p/n 4955127313
Rocker switch 28V DC	p/n 1441210212
Illuminated rocker switch	p/n 1415600001
White rocker switch without light	p/n 1415600002

ROCKER SWITCH



Rocker switch for 28V DC with white button. Available in 1 or 2 poles version and with 2 or 3 positions.

Fits series 300,301,600,601,602 and 900 enclosures

TECHNICAL DATA:

Contact rating: 5A / 28V DC
 Lifetime: 50.000 operations

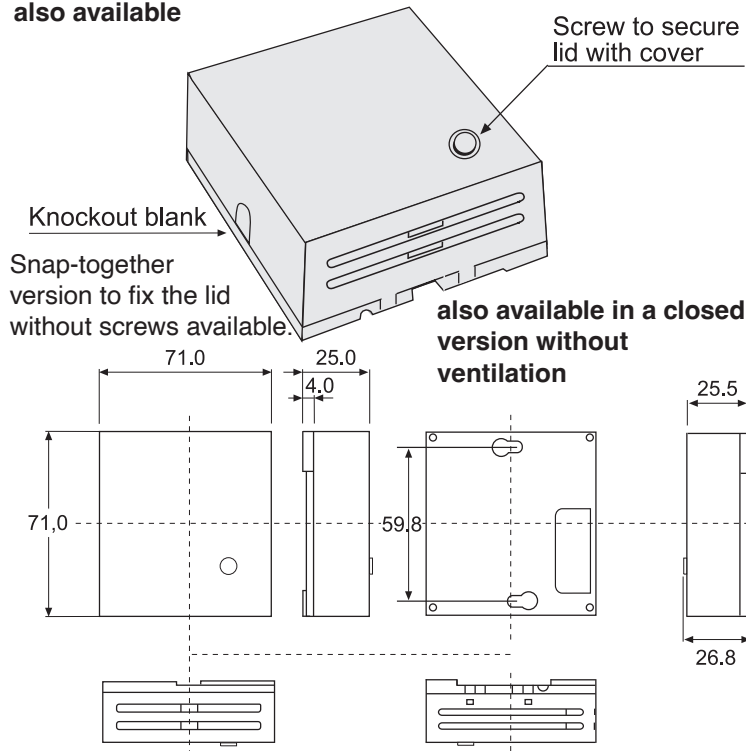
SERIES 3:	ORDER CODE:
Rocker switch	p/n 1441210212

● All measurements are in mm.

ENCLOSURE FOR WALL MOUNTING

SERIES 301

NEW designed version with concave front
also available



Enclosure for wall mounting. Suitable for sensors etc. Possibility for 2 PCB's. PCB and packing are available. Standard colour is white/white but other colours can be supplied upon request.

PCB and packing are available.

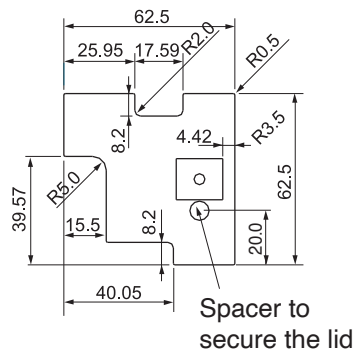
TECHNICAL DATA:

Top part: Cycloly C 2800
Base part: Cycloly C 2800
Colour: White/white (RAL9010/RAL9010)
Temperature range: -30 - +100°C
Self-extinguishing: Acc. to UL94-V0

Base part with battery holder for 2 pcs AAA-batteries available.

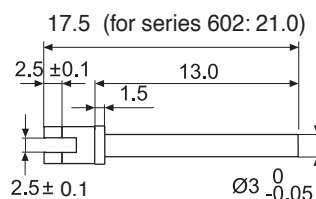
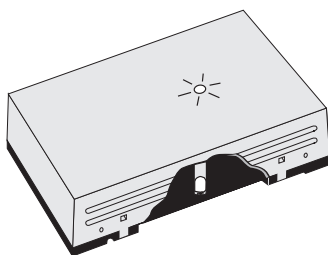
TYPE 301	ORDER CODE:
Complete: Top+base+1 screw	
+bushing + 2 blind covers	p/n 0669001301
Packing	p/n 2068300004
Raw PCB	p/n 4999000300
Light conductor	p/n 4972001258
Push button switch	p/n 4955127313

PCB DIMENSIONS



Possibility for integrated battery holder for wireless applications.

LIGHT CONDUCTOR for 300, 301, 600, 601 and 602



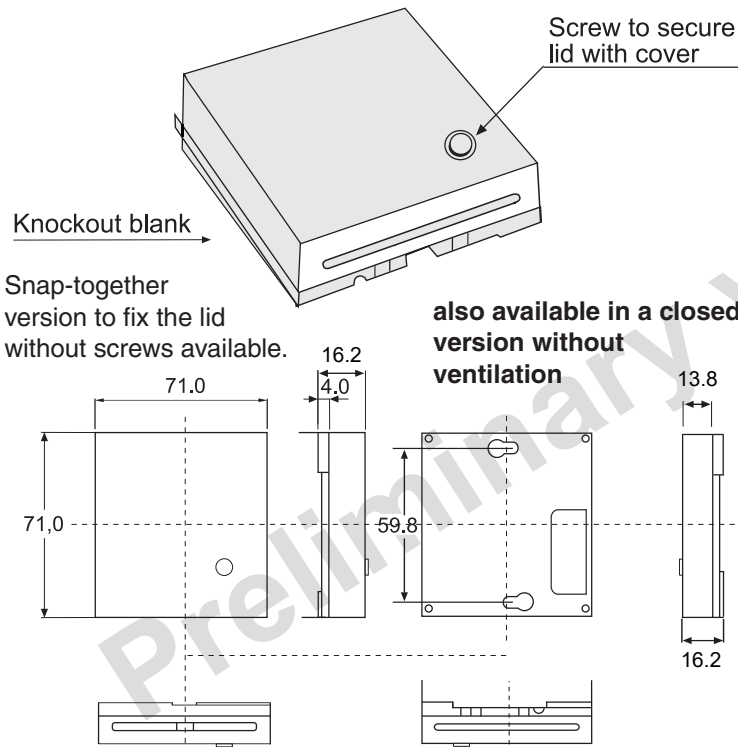
Can be used with SMD or leaded Ø3 mm LED's. Material: Clear PC

LIGHT CONDUCTOR	ORDER CODE:
For 300, 301, 600 and 601	p/n 4972001258
For 602	p/n 4972001257

• All measurements are in mm.

LOW ENCLOSURE FOR WALL MOUNTING

**SERIES
301
LOW**



Low enclosure for wall mounting. Suitable for Sensors etc. Possibility for 2 PCB's. Standard colour is white/white, but other colours can be supplied upon request.

PCB and packing are available.

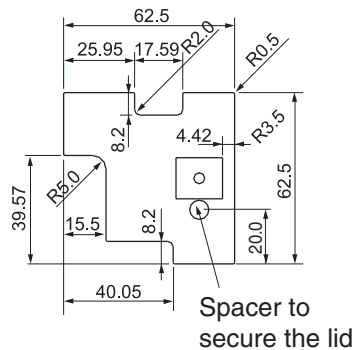
TECHNICAL DATA:

Top part: Cycoloy C 2800
 Base part: Cycoloy C 2800
 Colour: White/white (RAL9010/RAL 9010)
 Temperature range: -30 - +100°C
 Self-extinguishing: Acc. to UL94-V0

Base part with battery holder for 2 pcs AAA-batteries available.

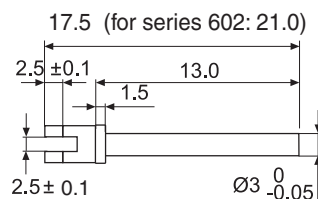
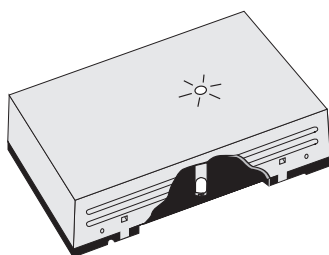
TYPE 301	ORDER CODE:
Complete: Top+base+1 screw +bushing + 2 blind covers	
Packing	
Raw PCB	
Light conductor	
Push button switch	

PCB DIMENSIONS



Possibility for integrated battery holder for wireless applications.

LIGHT CONDUCTOR for 300, 301, 600, 601 and 602



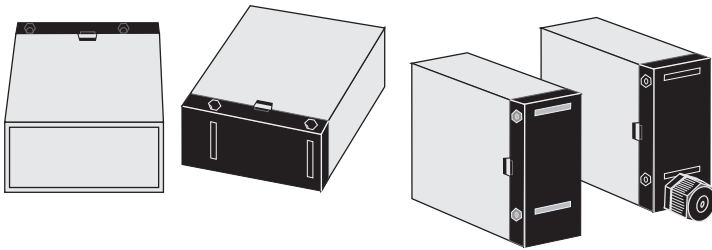
Can be used with SMD or leaded Ø3 mm LED's. Material: Clear PC

LIGHT CONDUCTOR	ORDER CODE:
For 300, 301, 600 and 601	p/n 4972001258
For 602	p/n 4972001257

• All measurements are in mm.

SENSOR ENCLOSURE SPLASH PROOF

SERIES 503



Enclosure for wall mounting to be used for thermostats, relay boxes, sensor enclosures etc.

PCB and packing are available.

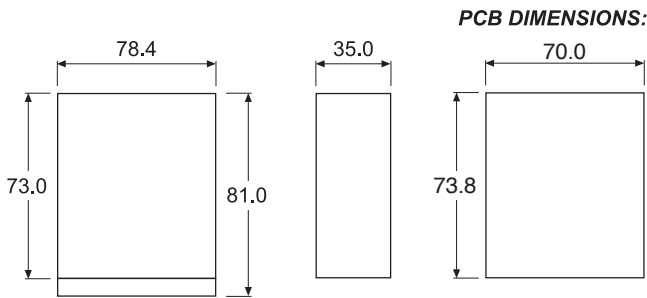
TECHNICAL DATA:

Material - top part: Lexan 940
- base part: Lexan 940

Temperature range: -30 - +100°C

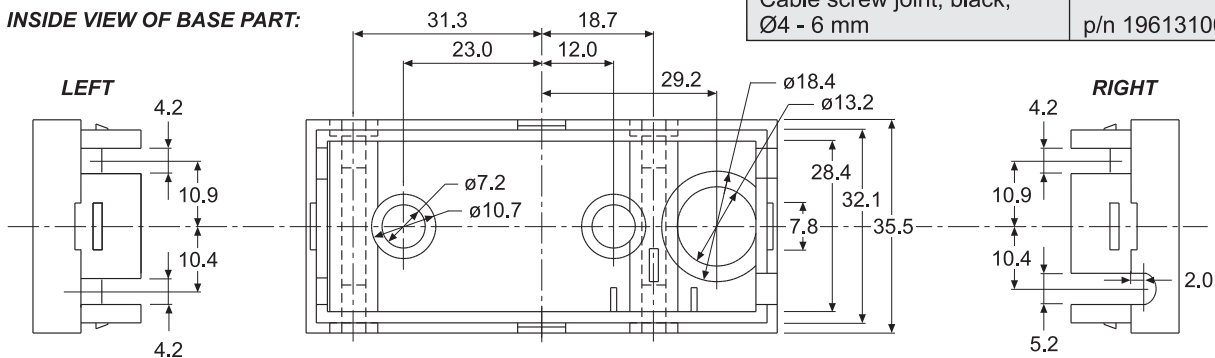
Label dimension: 31.0 x 74.0

Self-extinguishing: Acc. to UL94-V0



TYPE 503:	ORDER CODE:
Base part, black, RAL 7021	p/n 2069000508
Base part, grey, RAL 7035	p/n 2069000510
Top part, grey, RAL 7035	p/n 2069020500
Top part, black, RAL 7021	p/n 2069040500
Top part, blue, RAL 5015	p/n 2069030500
Top part, green, Pantone 3275	p/n 2069050500
Packing	p/n 2068500001
Cable screw joint, black, Ø4 - 6 mm	p/n 1961310090

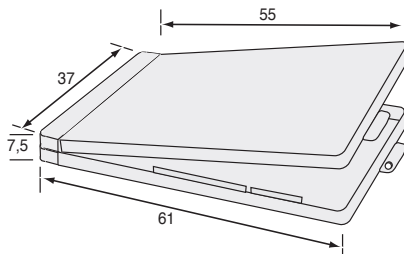
INSIDE VIEW OF BASE PART:



NEW PRODUCTS

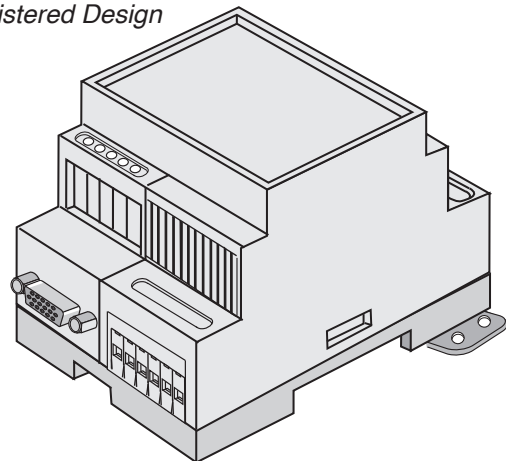
PCB Cover

For memory modules, etc.
p/n 1010101010



New DIN-rail enclosures

Registered Design



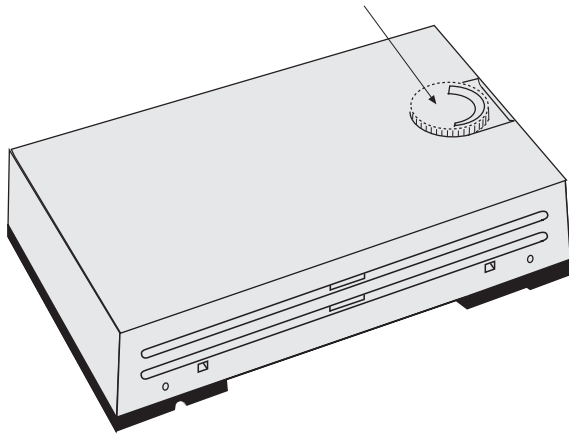
Please see page 2, 3, 4, 5, 6 and 7

● All measurements are in mm.

ENCLOSURE WITH KNOB

SERIES
600

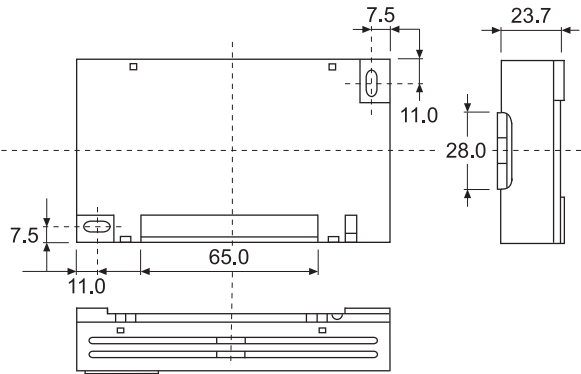
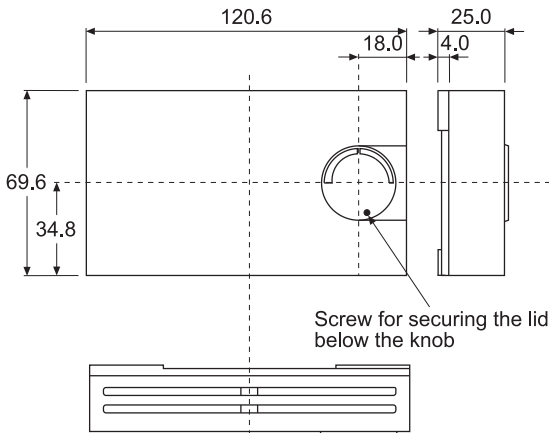
Can be limited to 180° mechanical travel



Enclosure with knob, for wall mounting, suitable for room thermostats etc. The knob fits among others trimmer P/N. PCH215/30 from AB Elektronik GmbH. See [www. Bernic. dk](http://www.Bernic.dk). Standard colour is white/black but other colours can be supplied upon request. PCB and packing are available. Base part available with cold press fixing taps or four self tapping screws to fix the PCB.

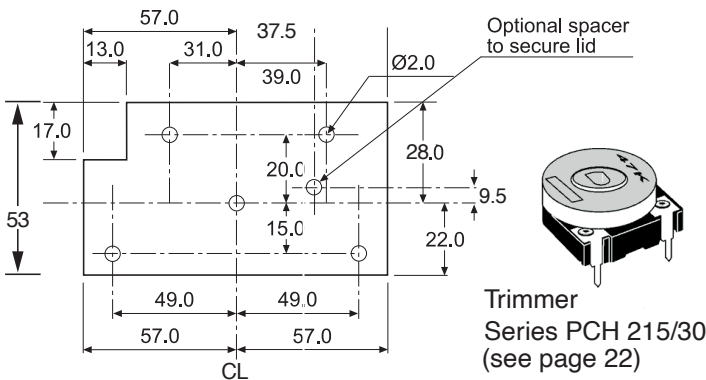
TECHNICAL DATA:

Top part: Cycoloy C 2800
 Base part: Lexan 940
 Colour: White/black (RAL9010/RAL9005)
 Temperature range: -30 - +100°C
 Self-extinguishing: Acc. to UL94-V0
 Knob: Cycoloy C 2800



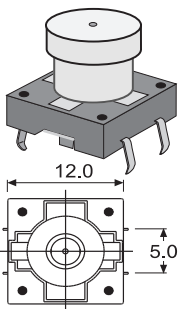
Screw for securing the lid below the knob

600 + 601 . PCB DIMENSIONS:

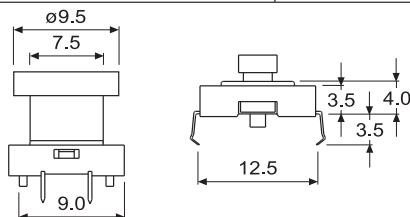


TYPE 600:	ORDER CODE:
Top part	p/n 0669000600
Base part incl. 2 screws	p/n 0669000609
Base part w.integrated spacer	p/n 0699000612
PCH 215/30 10k trimmer	p/n 0207220103
Packing	p/n 2068601004
Raw PCB	p/n 4999000600
Top part, 180° travel	p/n 0669000608
Knob without print	p/n 0669001603
Knob with grey print	p/n 0669080603
Knob with red print	p/n 0669020603
Knob with black dot	p/n 0669081603
Light conductor	p/n 4972001258
Push button switch	p/n 4955127313
Rocker switch - 28V DC	p/n 1441210212

PUSH BUTTON-SWITCH - SERIES 1273



TYPE:	ORDER CODE:
Tact-switch with ø 9,5 mm knob white colour	p/n 4955127313



● All measurements are in mm.

1273

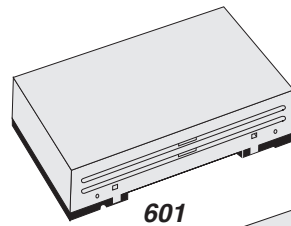
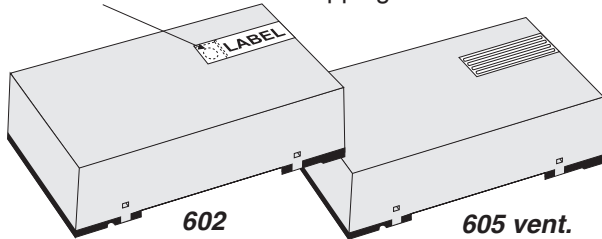
Push switches for series 300/600/900 with snap-in terminals and knob. Knob available in several colours upon request.

Colour: White
 Contact rating: 50 mA/12V DC
 Contact resistance: 100 mW
 Life time: Min. 100.000 operations
 Operating force: 100 g

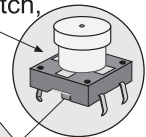
ENCLOSURE FOR WALL MOUNTING

SERIES
601
602

Counter sunk hole for self tapping screw



Push button switch,
See page 24



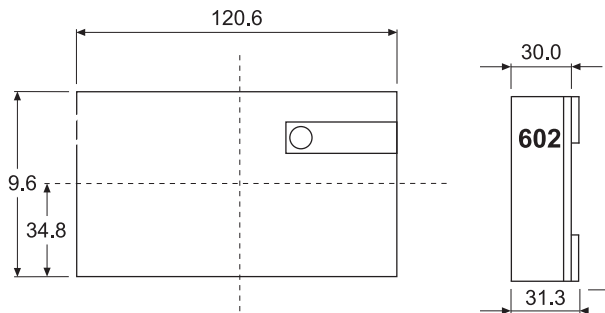
602 HIGH CLOSED VERSION (31 MM)

Also available as 605 with ventilation in the front
Also available as 607 with ventilation in the side.

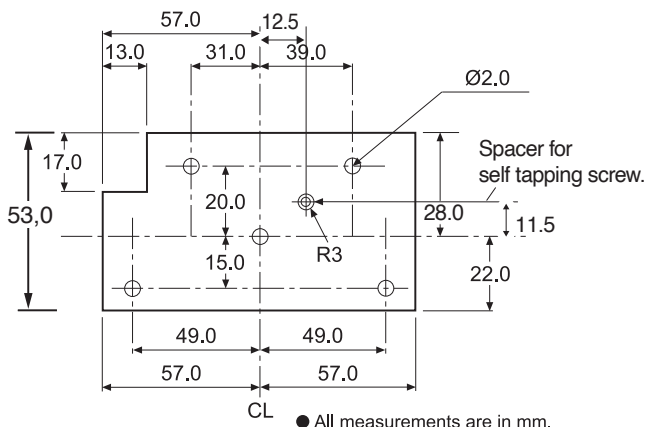
Enclosure for wall mounting. Closed version. Suitable for alarms etc. Possibility for 2 PCB's. PCB and packing are available. Standard colour is white/black but other colours can be supplied upon request. Label in polycarbonate available in customer specified colours. Base part available with cold press fixing taps or four self tapping screws to fix the PCB.

TECHNICAL DATA: 601 / 602 / 605 / 607

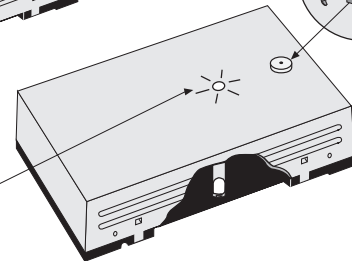
Top part: Cycloy C 2800
Base part: Lexan 940
Colour: White/black (RAL9010/RAL9005)
Temperature range: -30 - +100°C
Self-extinguishing: Acc. to UL94-V0



602 - PCB DIMENSIONS: (for 601 - see page 23)



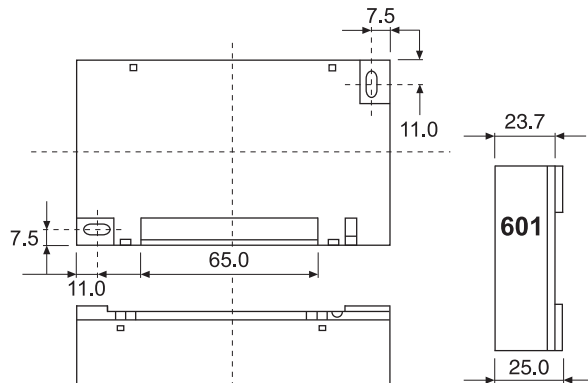
Light Conductor, see page 23



601 STANDARD VERSION (25 MM)

Enclosure for wall mounting. Suitable for sensors etc. Possibility for 2 PCB's. PCB and packing are available. Standard colour is white/black but other colours can be supplied upon request.

Base part available with cold press fixing taps or four self tapping screws to fix the PCB.



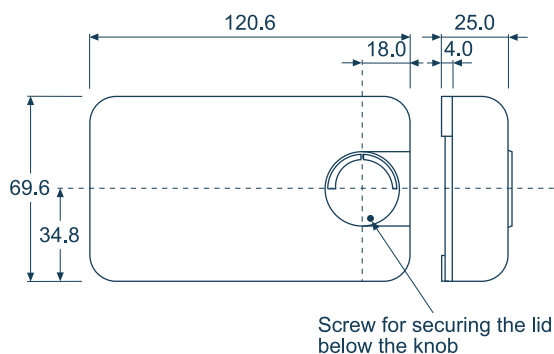
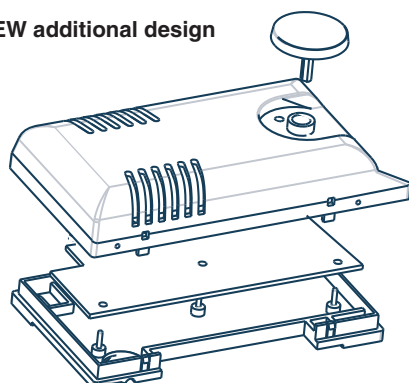
TYPE 601:	ORDER CODE:
Top part	p/n 0669000602
Base part w.cold press taps	p/n 0669000609
Base part f.self tapping screws	p/n 0699000610
Raw PCB	p/n 4999000600
Packing	p/n 2068601004
Light conductor	p/n 4972001258
Push button switch	p/n 4955127313

TYPE 602:	ORDER CODE:
602 complete	p/n 0669002622
Top part	p/n 0669000606
Base part w. integrated spacer	p/n 0669001622
Raw PCB	p/n 4999000600
Label in polycarbonate, white (Available in customer specified colours)	p/n 0669000607
Screw for top	p/n 2069441331
Packing	p/n 2068602004
Light conductor	p/n 4972001257

ENCLOSURE WITH KNOB

SERIES
630

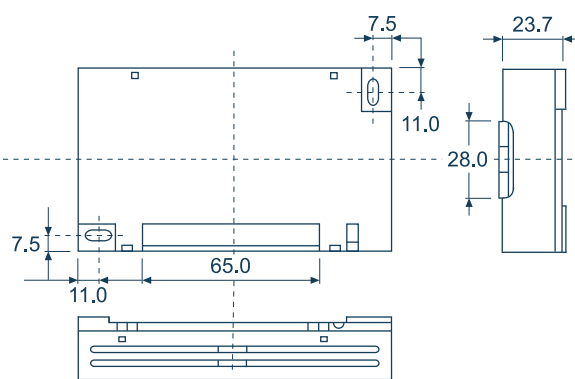
NEW additional design



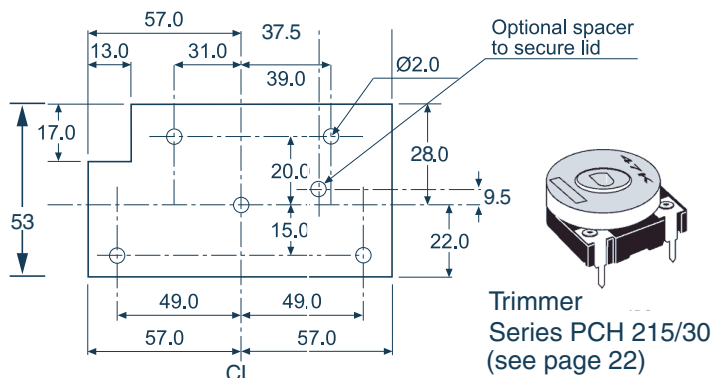
Enclosure with knob, for wall mounting, suitable for room thermostats etc. The knob fits among others trimmer P/N. PCH215/30 from AB Elektronik GmbH. See www.bernic.dk. Standard colour is white/black but other colours can be supplied upon request. PCB and packing are available. Base part available with cold press fixing taps or four self tapping screws to fix the PCB.

TECHNICAL DATA:

Top part: Cyclopol C 2800
 Base part: Lexan 940
 Colour: White/black (RAL9010/RAL9005)
 Temperature range: -30 - +100°C
 Self-extinguishing: Acc. to UL94-V0
 Knob: Cyclopol C 2800

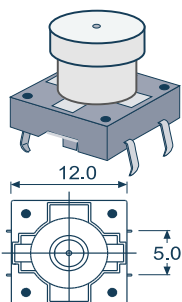


PCB DIMENSIONS:

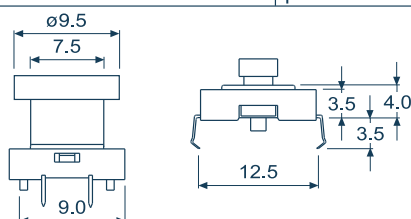


TYPE 630	ORDER CODE:
Top part	p/n 0669630602
Base part incl. 2 screws	p/n 0669000609
Base part w.integrated spacer	p/n 0699000612
PCH 215/30 10k trimmer	p/n 0207220103
Packing	p/n 2068601004
Raw PCB	p/n 4999000600
630 complete incl. 2 screws	p/n 0669632603
Knob without print	p/n 0669001603
Knob with grey print	p/n 0669080603
Knob with red print	p/n 0669020603
Knob with black dot	p/n 0669081603
Light conductor	p/n 4972001258
Push button switch	p/n 4955127313
Rocker switch - 28V DC	p/n 1441210212

PUSH BUTTON-SWITCH - SERIES 1273



TYPE:	ORDER CODE:
Tact-switch with \varnothing 9,5 mm knob white colour	p/n 4955127313



● All measurements are in mm.

1273

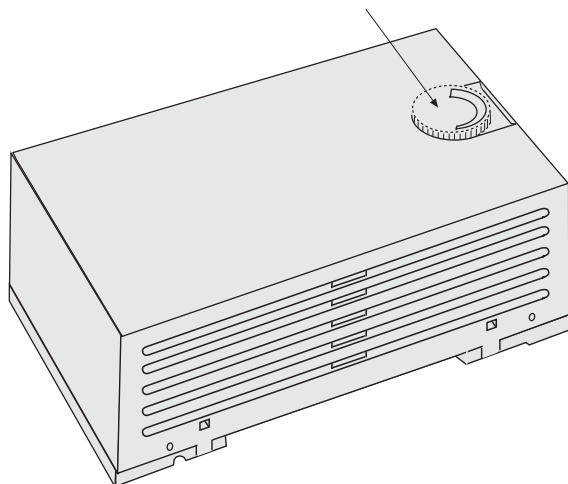
Push switches for series 300/600/900 with snap-in terminals and knob. Knob available in several colours upon request.

Colour: White
 Contact rating: 50 mA/12V DC
 Contact resistance: 100 mW
 Life time: Min. 100.000 operations
 Operating force: 100 g

ENCLOSURE WITH KNOB

SERIES
900

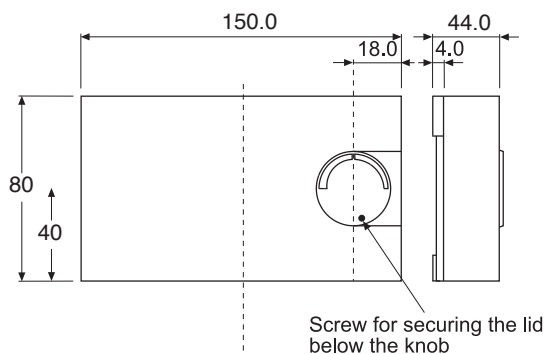
Can be limited to 180° mechanical travel



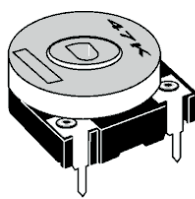
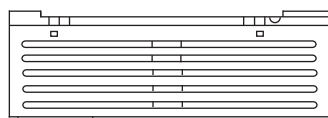
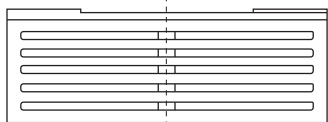
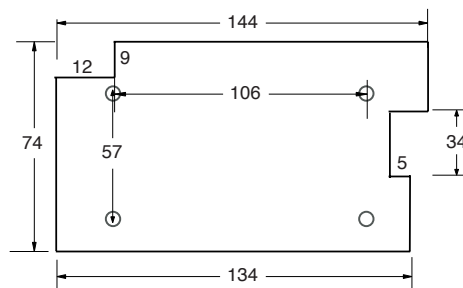
Enclosure with knob, for wall mounting, suitable for room thermostats etc. The knob fits among others trimmer P/N. PCH 215/30 from AB Elektronik GmbH. See www.bernic.dk Standard colour is white/white but other colours can be supplied upon request. PCB and packing are available. Base part available with or without spacer and four self tapping screws to fix the PCB.

TECHNICAL DATA:

Top part: ABS
 Base part: ABS
 Colour: White/white (RAL 9010)
 Temperature range: -30 - + 75 °C
 Self-extinguishing: Acc. to UL94-V0
 Knob: Cycoloy C 2800



900 PCB DIMENSIONS:

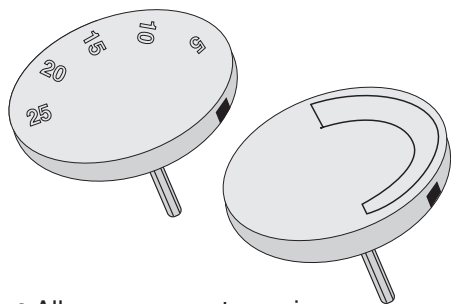


Trimmer
 Series PCH 215/30
 (see page 22)

TYPE 900	ORDER CODE:
Type 900 complete % spacer	p/n 0669000900
PCH 215/30 10 k trimmer	p/n 0207220103
Packing	p/n 2068900000
Knob without print	p/n 0669001603
Knob with grey print	p/n 0669080603
Knob with red print	p/n 0669020603
Knob with black dot	p/n 0669081603
Push button switch	p/n 4955127313
Rocker switch - 28V DC	p/n 1441210212

KNOB WITH C°SCALE

FOR 300, 600 AND 900



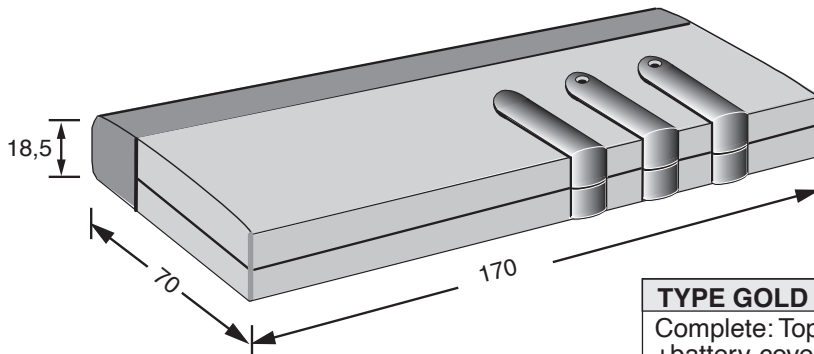
Knob with C° scale	p/n 0669002603
--------------------	----------------

Optional knob with Co scale for 300, 600 and 900 to use for all our thermostat boxes

• All measurements are in mm

ENCLOSURE GOLD

**SERIES
GOLD**



GOLD ENCLOSURE

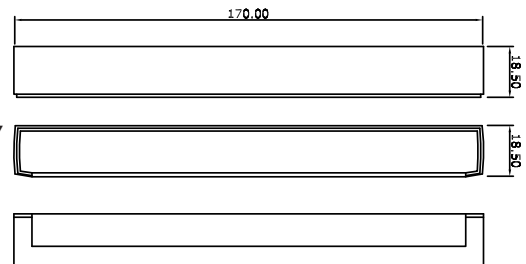
Enclosure for wall mounting, desk top or hand held, suitable for climate-control, access-control etc. Easy click together assembling. PCB and packing are available. Standard colour is white but other colours can be supplied on request. Battery kit available.

TYPE GOLD	ORDER CODE:
Complete: Top+base +battery-cover	p/n 4969020001
Push button switch	p/n 4955127313
Battery kit	p/n 4969020002

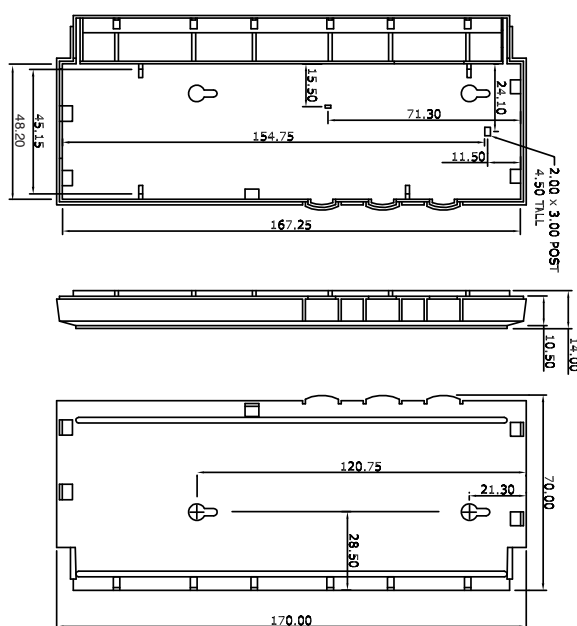
TECHNICAL DATA:

Top + Base part:: Cycoloy C 2800
 Battery cover: Cycoloy C 2800
 Colour: White RAL 9010
 Self-extinguishing: acc. to UL94-VO

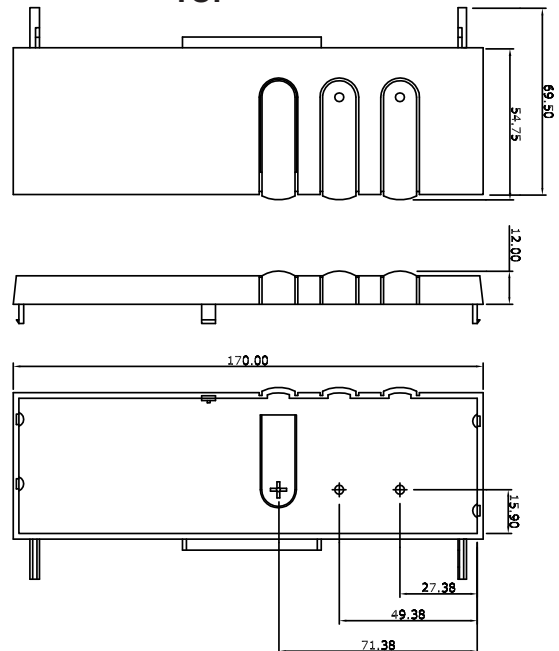
BATTERY COVER



BASE



TOP

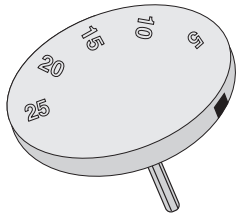


● All measurements are in mm.

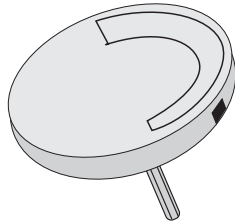
Specified technical drawings in scale 1:1 on request

KNOB WITH C° SCALE

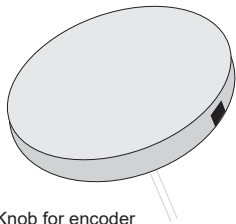
FOR 300, 600 AND 900



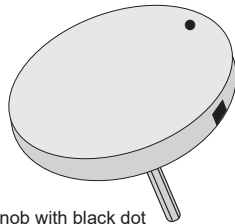
Optional Knob with C° scale



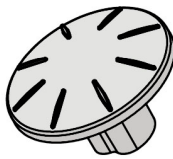
Knob with grey, red or no print



Knob for encoder



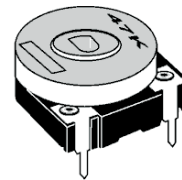
Knob with black dot



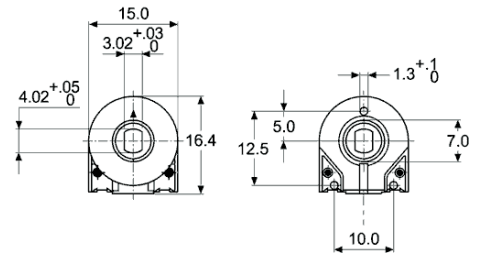
Optional Knob with "D" shape hole for 6 mm encoder

Optional knob with C° scale for 300, 600 and 900 to use for all our thermostat boxes

Knob for encoder, Optional	p/n 7969003212
Knob with C° scale	p/n 0669002603
Knob without print	p/n 0669001603
Knob with grey print	p/n 0669080603
Knob with red print	p/n 0669020603
Knob with black dot	p/n 0669081603
Optional Ø 22mm knob without spindle, with "D" shape hole for 6 mm encoder	p/n 7445501607



Trimmer
Series PCH 215/30



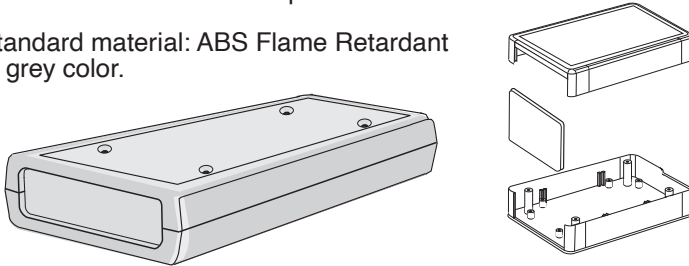
● All measurements are in mm

HAND-HELD ENCLOSURES

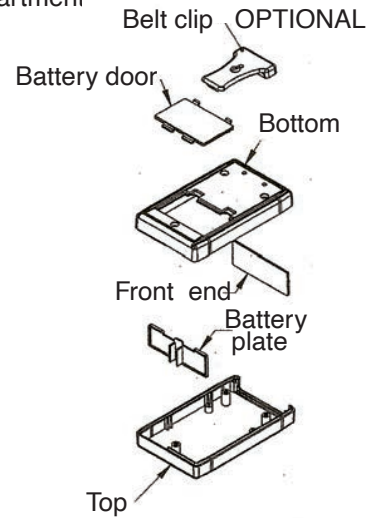
HAND-HELD ENCLOSURES

**SERIES
3100**

- * A range of hand-held enclosures, which are ideal for control devices.
- * Designed in top and base cover with front panel construction.
- * Internal PCB bosses are molded in top and base covers for self-tapping screws.
- * Front panel is as standard in ABS grey color. Dark-red transparent PMMA panel for infrared sensors can on request be delivered.
- * Standard material: ABS Flame Retardant in grey color.



TYPE 3115 with battery compartment



EXTERNAL DIMENSIONS L x W x H (mm)	TYPE	ORDER CODE
100 X 60 X 25	3115	4969311501
100 X 60 X 25	3115 BAT	4969311504
120 X 70 X 25	3135	4969313501
165 X 80 X 32	3155	4969315501
165 X 100 X 32	3165	4969316501
185 X 135 X 40	3185	4969318501
190 X 100 X 40	3195	4969319501
Belt clip	grey	4969300001
Belt clip	black	4969300002

TECHNICAL DATA

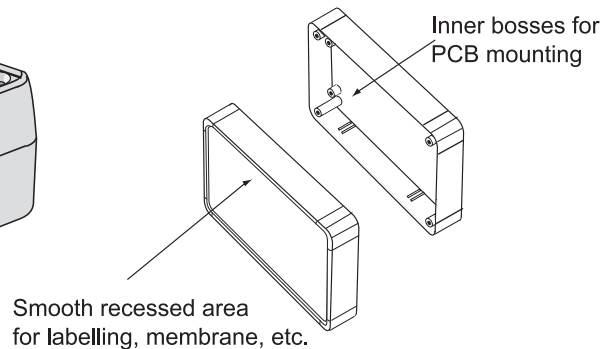
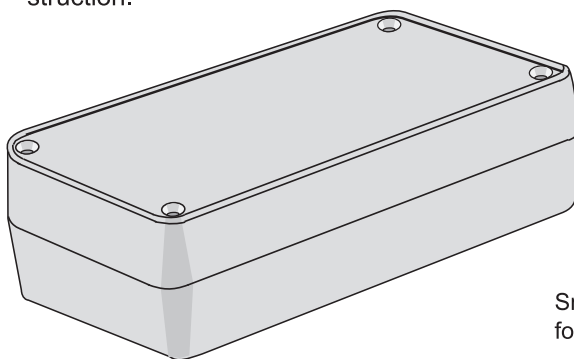
Material: ABS/Flame Retardant
 Color: Grey
 Temperature: -40 ~ + 75° C
 Self-extinguishing: UL-94VO

- All measurements are in mm

PROJECT ENCLOSURES

**SERIES
6000**

- * A range of hand-held enclosures that are ideal for hand-held control devices.
- * Internal PCB bosses are molded in top and base covers for self-tapping screws.
- * Designed in top and base cover two part construction.



EXTERNAL DIMENSIONS L x W x H (mm)	TYPE	ORDER CODE
107 x 64 x 40	6015	4969601501
148 x 64 x 40	6035	4969603501
178 x 105 x 40	6055	4969605501
206 x 106 x 40	6065	4969606501

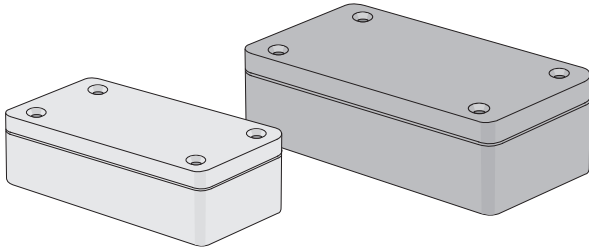
TECHNICAL DATA

Material: ABS/Flame Retardant
 Color: Grey
 Temperature: -40 ~ + 75° C
 Self-extinguishing: UL-94VO

- All measurements are in mm

UTILITY BOXES

**SERIES
1800**



This series of utility boxes is very suitable for assembling of in-door electronic devices. Furthermore they are ideal for complete or partial potting.

Moulded in ABS UL94-VO and as standard delivered in grey or black. Other colours are available upon request.

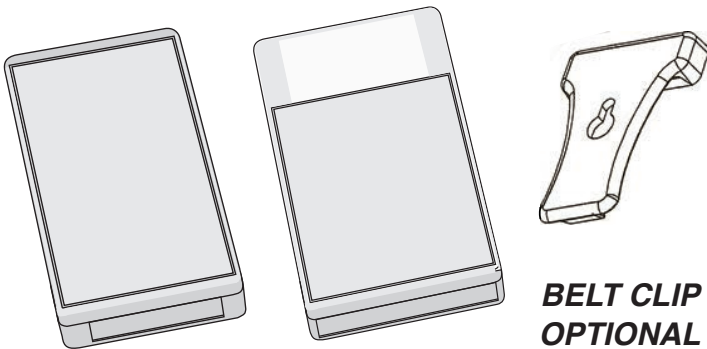
Two different sizes are all easily assembled by means of self tapping screws.

Can be supplied drilled, printed, EMC coated, etc. according to customer specification.

Type	Dimensions outside: mm.			Dimensions inside: mm.			Material	Assembly Method	Order Code:	
	Length	Width	Height	Length	Width	Height			Grey	Black
B105025	100	50	25	94	44	19	ABS	Screw	4910502501	4910502502
B 105040	100	50	40	94	44	34	ABS	Screw	4910504001	4910504002

SEALED HANDHELD ENCLOSURES

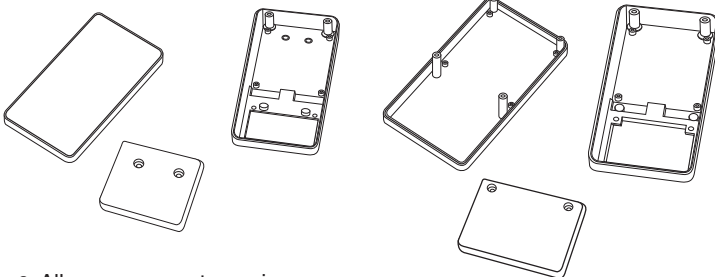
**SERIES
3000**



**BELT CLIP
OPTIONAL**

TYPE 3001
Size: 130x68x25

TYPE 3041
Size: 160x85x30



TYPE 3001 AND TYPE 3041

This series is designed for remote controllers, measuring devices, hand-held control devices, portable data recorders and other fields of electronics.

Large smooth recessed area for membrane switches or label.

Customization available for display window and switch button hole. Each with battery cover

TECHNICAL DATA:

Top part: ABS
 Base part: ABS
 Colour: Grey or black
 Temperature range: -40 - +75°C
 Self-extinguishing: UL94-VO
 Sealing: IP65 / (IEC529)

SERIES 3000:	ORDER CODE:
Type 3001, grey, sealed	p/n 4969883001
Type 3001, black, sealed	p/n 4969863001
Type 3041, grey, sealed	p/n 4969883041
Type 3041, black, sealed	p/n 4969863041
Belt clip, grey	p/n 4969300001
Belt clip, black	p/n 4969300002

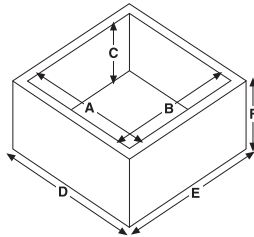
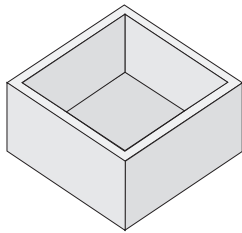
● All measurements are in mm.

Technical drawings available on: www.bernic.dk

BOXES FOR POTTING & INSTRUMENTATION ENCLOSURES

BOXES FOR POTTING

**SERIES
7000**



Boxes for sealing of electronics parts with resin, made of black ABS (or Polycarbonate) heat resistant from -40°- 75° (-40°- 100°) and with superior dielectric properties. Lids available. And thus very suitable as sample box.

Order code ABS	Size Interior			Size Exterior		
	A	B	C	D	E	F
p/n 4970702702	68	68	24	70	70	26

Upon request special sizes, materials and conductive antistatic EMI-X coatings are available.

INSTRUMENTATION ETC. ENCLOSURES

**SERIES
400**

This line of moulded project enclosures is ideally suited for for instance instrumentation and tele-communications equipment from hand-held to desk top sizes. Available in four sizes in ABS.

DESIGN FEATURES:

- * Design according to IP54 IEC 529.
- * Two part design with tongue and groove joint between top and bottom covers.
- * Internal guide slots provided for vertical mounting of PCB's.
- * Type 401 - 404 are supplied with pins for horizontal mounting by cold pressing of a PCB or with screw holes for horizontal mounting of a PCB, assembled by means of self tapping screws.

ORDERING INFORMATION:

- * Type numbers are for enclosures supplied with four lid fixing screws and two end panels.
- * The ABS case lid and base are moulded in grey with end panels in matching colours.
- * All enclosures can be made according to customer specifications.

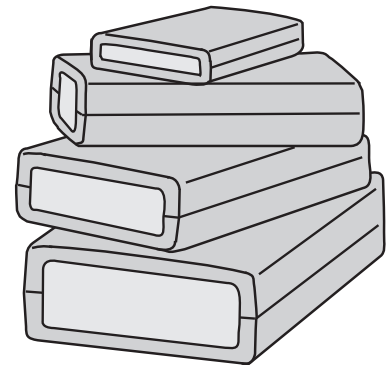
● All measurements are in mm.

Possibility for flat spacers to accommodate 9 way D-sub.

Technical drawings available on: www.bernic.dk

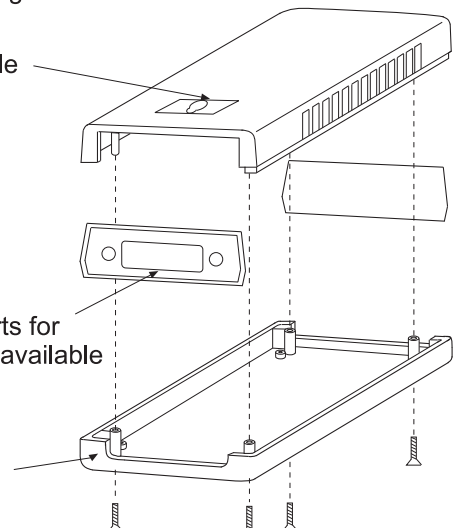
TECHNICAL DATA:

Material:	ABS (Other materials available)
Colour:	Grey (RAL7035) (Other colours are upon request available)
Assembling:	4 selftapping screws
Sealing:	IP54 IEC 529
Temperature range:	-30°C - +75°C
Self-extinguishing:	ACC UL94-VO



Keyhole available

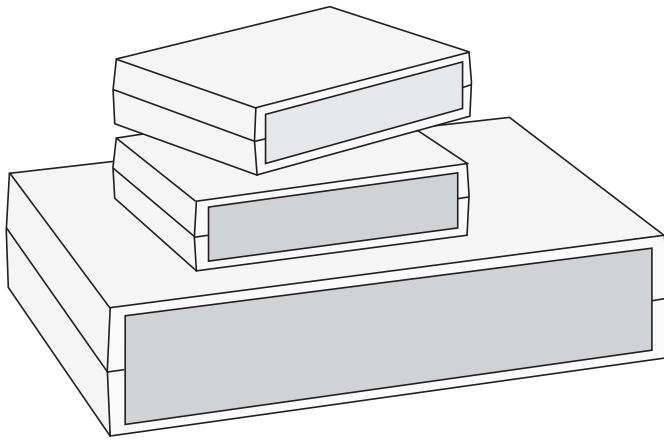
Special end parts for connectors are available



DESK TOP ENCLOSURES

DESK TOP ENCLOSURES

SERIES 2000



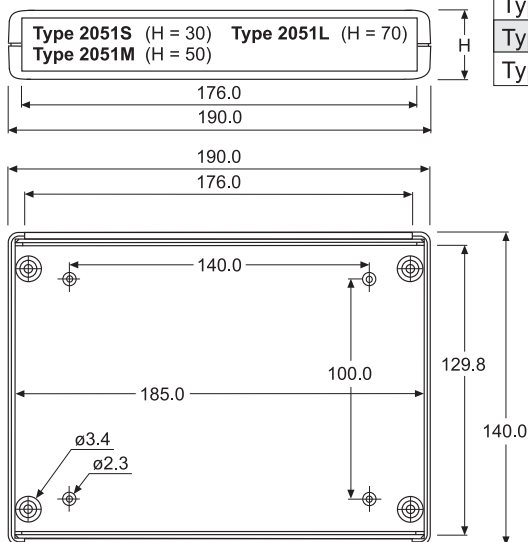
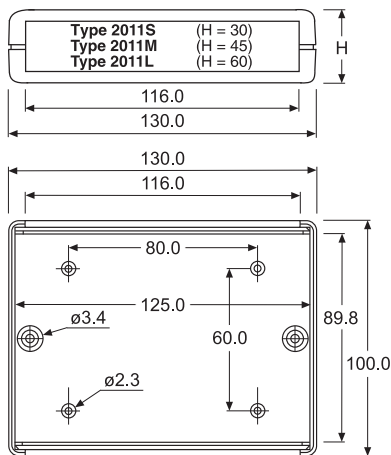
SERIES 2000

Four part enclosure that includes top, base, front panel and rear panel. This series is designed for peripheral equipment of computers, electromedical devices, laboratory equipment, measuring devices, control equipment and other types of electronics.

We offer custom design to your own specification, including drilling, cutting, painting, punching, labelling, silk screen printing, etc. Is supplied in material with UL94-V0 specifications. Aluminium or dark red (i.r.) panels can alternatively be delivered. Upon request available with ventilation slots.

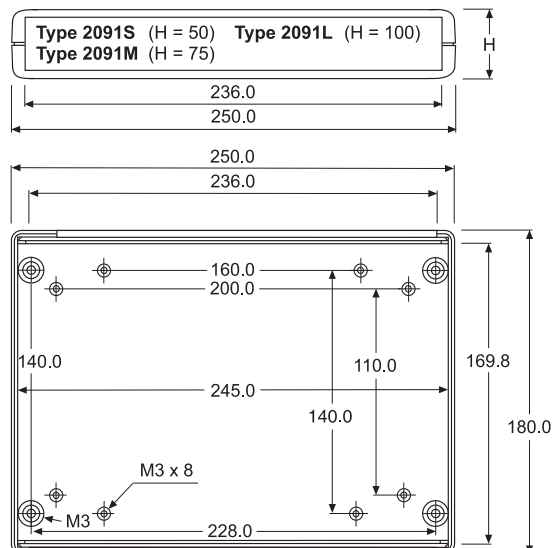
TECHNICAL DATA:

Material:	ABS
Colour, top part:	Grey
Colour, base part:	Grey
Front + rear panels:	Grey(aluminium/i.r.)
Temperatur range:	-40 - +75° C
Self-extinguishing:	UL94-V0
Sealing:	IP43



TYPE 2000:	ORDER CODE:	Ext. dim.: L x W x H
Type 2011S	p/n 4969832011	130 x 100 x 30 mm
Type 2011M	p/n 4969842011	130 x 100 x 45 mm
Type 2011L (Incl. 4 rubber feet)	p/n 4969852011	130 x 100 x 60 mm
Type 2051S	p/n 4969832051	190 x 140 x 30 mm
Type 2051M	p/n 4969842051	190 x 140 x 50 mm
Type 2051L (Incl. 4 rubber feet)	p/n 4969852051	190 x 140 x 70 mm
Type 2091S (Incl. 4 rubber feet)	p/n 4969832091	250 x 180 x 50 mm
Type 2091M (Incl. 4 rubber feet)	p/n 4969842091	250 x 180 x 75 mm
Type 2091L (Incl. 4 rubber feet)	p/n 4969852091	250 x 180 x 100 mm

Front feet stands are available upon request.



PCB is mounted by means of selftapping screws. All 9 types are assembled with M3 screws into threaded bushings

● All measurements are in mm.

SEALED ENCLOSURES

SEALED ENCLOSURES

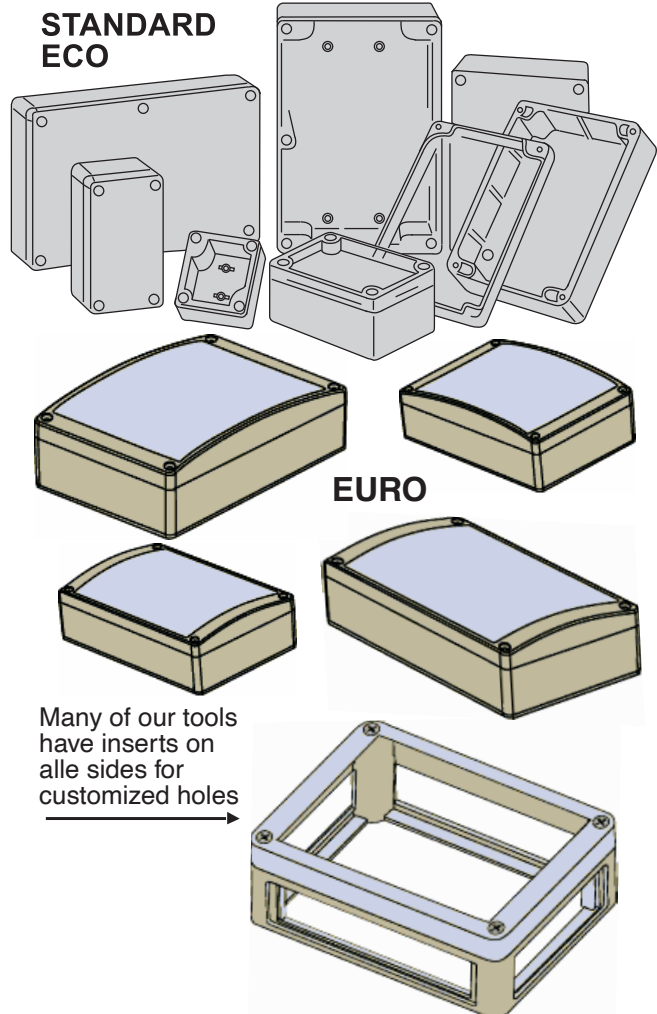
**SERIES
200**

These enclosures are designed to IP65 specifications and are ideal for use in the electrical and electronic industries for use where modern design is important. The moulded enclosures are offered in two different designs and a variety of colours.

The EURO version with designed curved lid and the ECO version with the classic flat lid. Both are available with label recess or without. The depth of the label recess can be changed to fit a thin label (0,3 mm) or a thicker keyfoil (1,1 mm).

DESIGN FEATURES:

- * Cover screws 1/4 turn or optional M4 stainless steel non-magnetic and fasten into threaded brass inserts
- * Wall mounting holes and cover attaching screws are outside the sealing, thus preventing ingress of moisture and dust.
- * The internal bosses for self tapping screws allow mounting of PCB horizontally or for connection of terminals etc., are fully flexible and can be placed according to customers wishes on order. Brass inserts are optional.
- * The lid and base are fitted together with a tongue and groove sealing system with an gasket.
- * Low cost black non UL UV resistant and other colours are available.
- * NEW also available in black and white.



TECHNICAL DATA:

Material:	ABS Standard (PC on request)	Temperature:	- 40 - +75°C (-40 - +95°C)
Colour:	Grey, lid grey or transparent (RAL 7035) for 1/4 turn screws.	Sealing:	IP65 IEC529 (Dust and hoseproof)
		Selfextinguishing:	Acc. to UL94-VO

Type	SERIES 200 1/4 TURN			External Dimensions / See Specifications				
	Grey/Grey ABS	Clear/Grey ABS	Remarks	L = Length	W = Width	H = Height	A	B
203 ECO	p/n 2069203013	p/n 2069203014	% Recess	115	65	40	25	15
212 ECO	p/n 2069212111	p/n 2069212222	% Recess	115	90	55	40	15
214 ECO	p/n 2069214341	p/n 2069214342	Both 1,1	171	121	55	40	15
218 ECO	p/n 2069218111	p/n 2069218422	% Recess	222	146	55	40	15
220 ECO	p/n 2069220211	p/n 2069220212	% Recess	120	122	55	40	15
222 ECO	p/n 2069222211	p/n 2069222212	% Recess	120	122	100	40	60
230 ECO	p/n 2069230211	p/n 2069230212	% Recess	240	120	100	75	25
258 ECO	p/n 2069258301	p/n 2069258302	Both 0,3	160	80	55	40	15
269 ECO	p/n 2069269101	p/n 2069269102	% Recess	200	120	75	60	15
214 EURO	p/n 2069214421	p/n 2069214132	Both 0,3	171	121	58	40	18
218 EURO	p/n 2069218701	p/n 2069218102	without Recess	222	146	58	40	18
258 EURO	p/n 2069258131	p/n 2069258102	Both 0,3	160	80	58	40	18

Many more p/n available - please inquire
● All measurements are in mm.

Both = Available both with and without recess
% = Without Recess

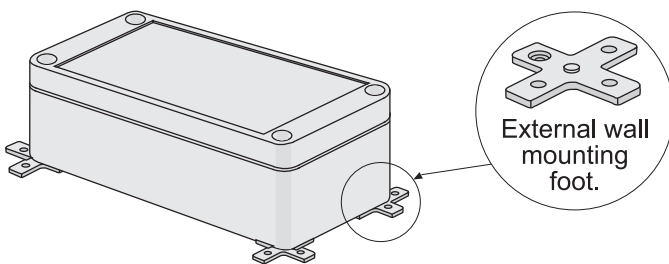
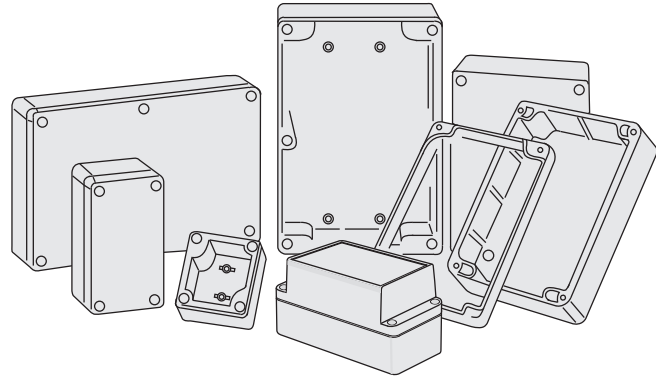
SEALED ENCLOSURES

**SERIES
1000**

These low cost enclosures meet the IP65 dust and hoseproof requirements. They are double insulated, sealed and as standard delivered in hi-impact flame retardant ABS in grey colour. However, they can also be supplied in UV retardant polycarbonate.

DESIGN FEATURES:

- * Available with transparent or grey lid.
- * Wall mounting outside the sealed area.
- * External wall mounting feet in ABS or polycarbonate available.
- * Recessed lid for membrane or label.
- * Each box is supplied with captive stainless steel fixing screws and PCB mounting screws.
- * The lid and base part have a tongue and groove system with an EPDM rubber sealing gasket.
- * Available with coating on the internal surface improving EMI and RFI shielding.
- * Available according to customer specifications: Drilled, punched, printed, painted etc.



Technical drawings available on: www.bernic.dk

TECHNICAL DATA:

Material	Protection	Isolation	Flame rating	Temperature	Colour	UV	Gasket
Polycarbonate	IP65	.	UL-94 VO	-40 - +125°	Clear	0	EPDM
ABS / Flame retardant	IP65	.	UL-94 VO	-40 - + 75°	Light grey	-	EPDM

Type	Grey body / lid	Grey body / clear lid	External Dimensions / See Specifications				
			L = Length	W = Width	H = Height	A	B
1021	p/n 4969102101	p/n 4969102102	65	60	40	40	13
1061	p/n 4969106101	p/n 4969106102	85	80	55	40	15
1131	p/n 4969113101	p/n 4969113102	125	85	55	40	15
1151	p/n 4969115101	p/n 4969115102	125	85	85	40	45 *
1171	p/n 4969117101	p/n 4969117102	165	85	55	40	15
1181	p/n 4969118101	p/n 4969118102	165	85	85	40	45 *
1241	p/n 4969124101	p/n 4969124102	165	125	75	60	15
1281	p/n 4969128101	p/n 4969128102	186	146	75	60	15
1381	p/n 4969138101	p/n 4969138102	186	146	110	60	50 *
1451	p/n 4969145101	p/n 4969145102	220	165	60	45	15
1461	p/n 4969146101	p/n 4969146102	220	165	85	70	15
1531	p/n 4969153101	*/	250	200	95	70	25 *
1541	p/n 4969154101	*/	250	200	130	105	25 *

Accessories: MF0041 - wall mounting feet, 4 PCs in ABS per supply pack incl. wall plugs + fixing screws, p/n: 4969100041.

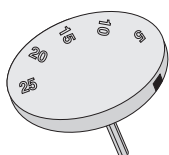
* Staircase design.

● All measurements are in mm.

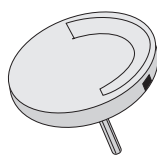
ACCESSORIES

KNOB WITH C° SCALE

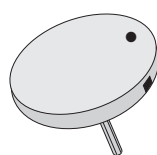
FOR 300, 600 AND 900



Optional Knob with C° scale

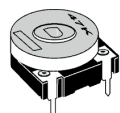


Knob with grey, red or no print

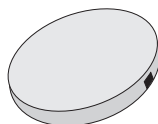
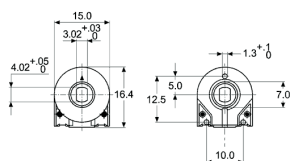


Knob with black dot

Knob for encoder, Optional	p/n 7969003212
Knob with C° scale	p/n 0669002603
Knob without print	p/n 0669001603
Knob with grey print	p/n 0669080603
Knob with red print	p/n 0669020603
Knob with black dot	p/n 0669081603
Optional Ø 22mm knob without spindle, with "D" shape hole for 6 mm encoder	p/n 7445501607



Trimmer Series PCH 215/30



Knob for encoder

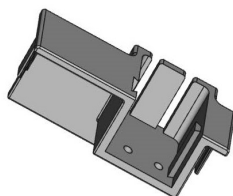
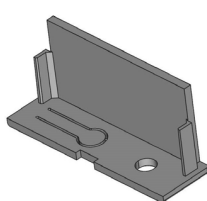


Optional Knob with "D" shape hole for 6 mm encoder

Optional knob with C° scale for 300, 600 and 900 to use for all our thermostat boxes

DIN RAIL ENCLOSURE for EIB BUS Connectors

Series KNX



All measurements are in mm

Cover for series 35 KNX 1 EIB BUS Connector	p/n 8845350901
Cover for series 35 KNX 2 KNX BUS Connector	p/n 8845350921

Technical data:

Self-extinguishing: Acc. to UL94-V0
IP Protection: IP 20

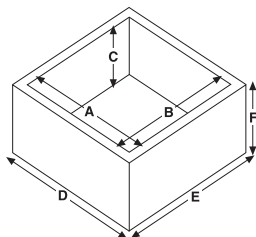
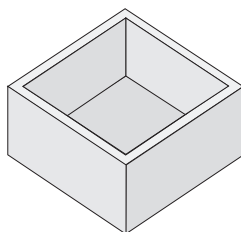
BASE PART:

Material: Lexan 940
Colour: Grey (RAL 7035)
Max. temperature: 100°C

Mounting: DIN-rail (EN50022)
Self-extinguishing: Acc. to UL94-V0

BOXES FOR POTTING

Series 7000



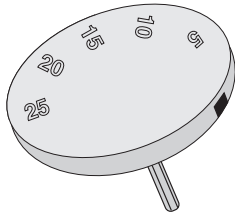
Boxes for sealing of electronics parts with resin, made of black ABS (or Polycarbonate) heat resistant from -40°- 75° (-40°- 100°) and with superior dielectric properties. Lids available. And thus very suitable as sample box.

Order code	Size Interior			Size Exterior		
	A	B	C	D	E	F
p/n 4970702702	68	68	24	70	70	26
p/n 4969032772	30	74.5	9.8	32.8	77.3	11.3
p/n 4969094410	8.9	44	10	11.3	46.2	11.1

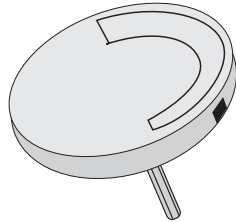
Upon request special sizes, materials and conductive antistatic EMI-X coatings are available.

KNOB WITH C° SCALE

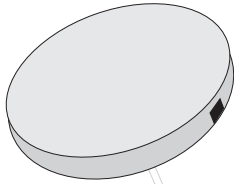
FOR 300, 600 AND 900



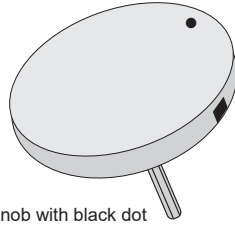
Optional Knob with C° scale



Knob with grey, red or no print



Knob for encoder



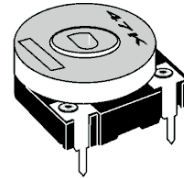
Knob with black dot



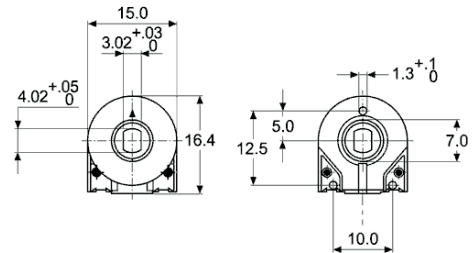
Optional Knob with "D" shape hole for 6 mm encoder

Optional knob with C° scale for 300, 600 and 900 to use for all our thermostat boxes

Knob for encoder, Optional	p/n 7969003212
Knob with C° scale	p/n 0669002603
Knob without print	p/n 0669001603
Knob with grey print	p/n 0669080603
Knob with red print	p/n 0669020603
Knob with black dot	p/n 0669081603
Optional Ø 22mm knob without spindle, with "D" shape hole for 6 mm encoder	p/n 7445501607



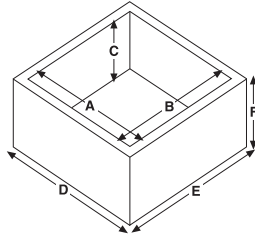
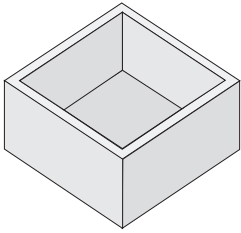
Trimmer
Series PCH 215/30



● All measurements are in mm

BOXES FOR POTTING

**SERIES
7000**



Boxes for sealing of electronics parts with resin, made of black ABS (or Polycarbonate) heat resistant from -40°- 75° (-40°- 100°) and with superior dielectric properties. Lids available. And thus very suitable as sample box.

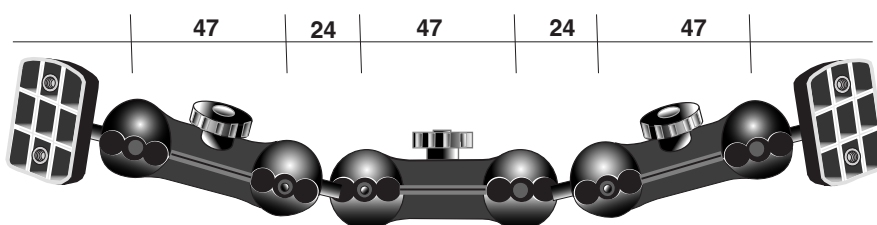
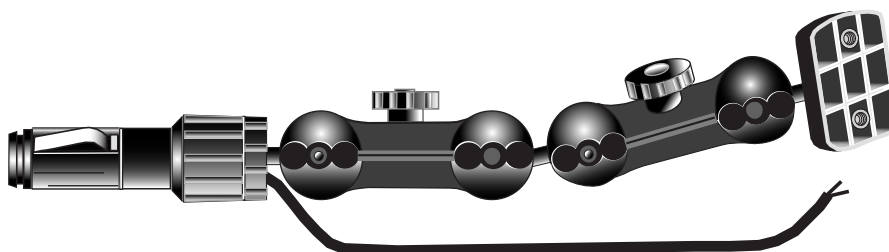
Order code	Size Interior			Size Exterior		
	A	B	C	D	E	F
p/n 4970702702	68	68	24	70	70	26
p/n 4969032772	30	74.5	9.8	32.8	77.3	11.3
p/n 4969094410	8.9	44	10	11.3	46.2	11.1

Upon request special sizes, materials and conductive antistatic EMI-X coatings are available.

SUPPORT ARM

STAR
POINT

Arm to support enclosures for wall mounting on machines or in a vehicle



Flexible building block system gives possibility to extend the arm, include power from for instance the cigarette plug and when it is right in the position it can be secured both in the joints and support to give a firm rest of the enclosure.

Technical data:

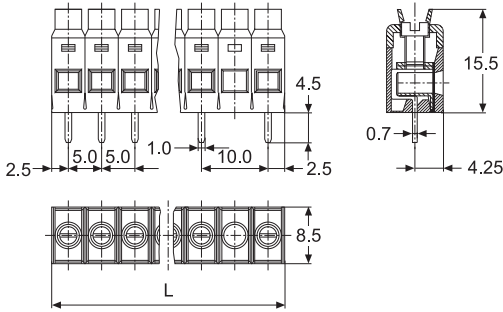
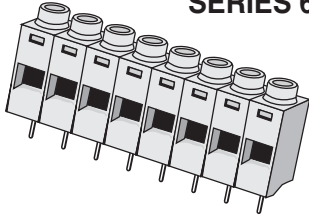
Colour: Black
Voltage: 12 V (DC connector)
Length: 24/47 mm (one link)
Material: PA with glass

TYPE	ORDER CODE
Device holder with ball, Ø 35.8 mm	p/n 3053006000
Clambody, tread M20x1.5	p/n 3053007000
Expander, Ø20.4 mm	p/n 3053007300
Finger screw Ø 20 mm, with M5 bushing mounted	p/n 3053006300
Enclosure base part	p/n 3053008000
Clamp	p/n 3053006200
Ball joint part, 42 mm length	p/n 3053006700
Plug, Ø 20.4 mm	p/n 3053007200

PC TERMINAL-BLOCKS

SERIES
605
256/257

SERIES 605



SERIES 605

C.S. IMQ FU CE

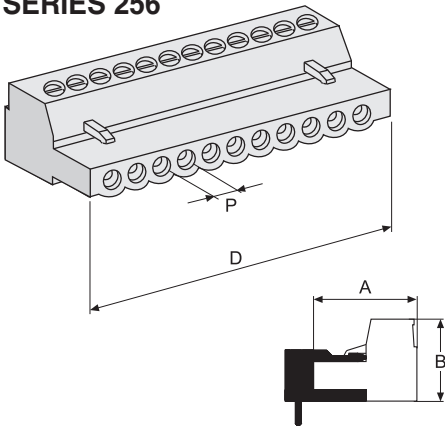
Strong PCB terminal block with mechanical elevation applied. Available with up to 18 terminals for enclosure series 175, 225, 350, 700, 1050, 1570 + 35, 52, 70, 105, 157 and 210.

TECHNICAL DATA:

Nominal voltage: 380V
Modular spacing: 5 (or 10 mm - series 610)
Terminal: Tin plated steel
Colour: Grey

TYPE 605:	ORDER CODE:
Please specify terminals/spacing	p/n 395014XX08

SERIES 256



256/5.08

C.S. IMQ 0606 VDE 0627
IMQ 0606 VDE 0627 FU

Female terminal block pluggable to the male 257/5.08.

TECHNICAL DATA:

Poles: 5.08 mm module 2-24
10.16 mm module 2-12

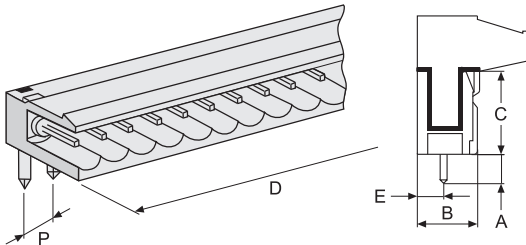
Rating: (2.5 mm²) 10A - 380V

Dimensions:	A	B	D (24 poles)	p
(mm)	18.3	14.5	122	5.08

Materials: Green polyamide 6.6
Self-extinguishing to CEI 23-20, UL94-V0 and IEC 695-2-1 to 850°C
Temperature: Max. 85°C

TYPE 256/5.08:	ORDER CODE:
Please specify poles/module	p/n 11556XXXXX

SERIES 257



257/5.08

C.S. IMQ 0606 VDE 0627
IMQ 0606 VDE 0627 FU

Male terminal block pluggable to the female holder 256/5.08.

TECHNICAL DATA:

Poles: 5.08 mm module 2-24
10.16 mm module 2-12

Hole sizes in print \varnothing 1.4 mm

Rating: (2.5 mm²) 10A - 380V

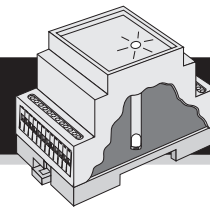
Dimensions:	A	B	C	D (24 poles)	E	F	P
(mm)	4.2	8	12	124	3.8	2	5.08

Materials: Green polyamide 6.6
Self-extinguishing to CEI 23-20, UL94-V0 and IEC 695-2-1 to 850°C
Temperature: Max. 85°C
Screws torque: 0.6Nm

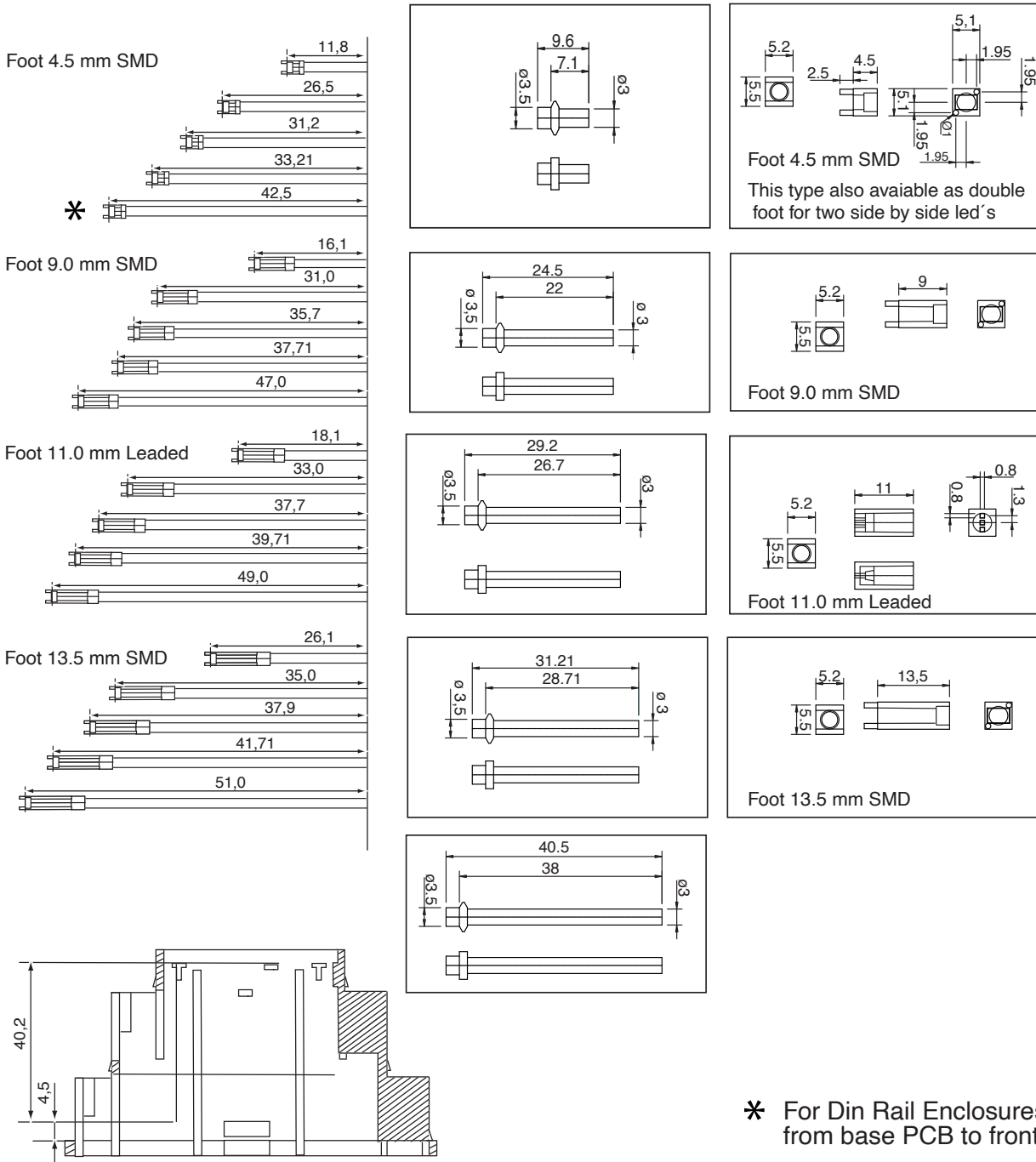
TYPE 257/5.08:	ORDER CODE:
Please specify poles/module	p/n 11557XXXXX

● All measurements are in mm.

LIGHT CONDUCTORS



Ø 3mm light conductors for SMD or Leded Led's for transporting the light from the PCB to the front of the enclosure. - 5 different types can be combined into 20 different length from 11,8 mm to 51 mm including special length to fit most of Bernic's enclosures.



Total length	4,5 mm foot	11,6	26,5	31,2	33,21	42,5 *
Order Code: SMD		p/n 4972301250	p/n 4972301251	p/n 4972301252	p/n 4972301253	p/n 4972301254
Total length	9,0 mm foot	16,1	31,0	35,7	37,71	47,0
Order Code SMD		p/n 4972301255	p/n 4972301256	p/n 4972301257	p/n 4972301258	p/n 4972301259
Total length	11,0 mm foot	18,1	33,0	37,7	39,71	49,0
Order Code LEADED		p/n 4972301260	p/n 4972301261	p/n 497301262	p/n 4972301263	p/n 4972301264
Total length	13,5 mm foot	20,6	35,5	40,2	42,21	51,5
Order Code SMD		p/n 4972301265	p/n 4972301266	p/n 4972301267	p/n 4972301268	p/n 4972301269

● All measurements are in mm.